

1

2

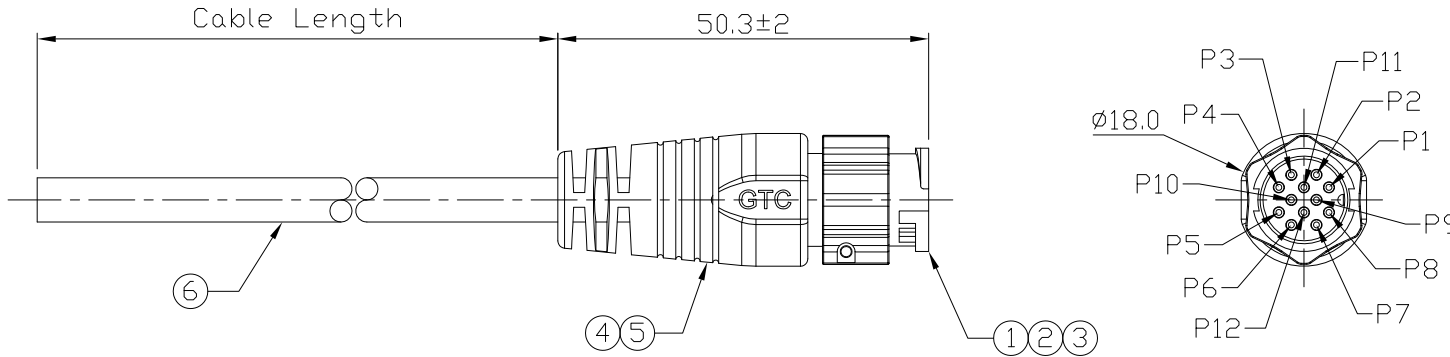
3

4

Notes: (Unless Otherwise Specified)

- 1. Waterproof Rate: IP67.
- 2. RoHS & REACH Compliant.

REV	ECN#	DESCRIPTION OF REVISION	DRAW BY DATE	CHECK BY DATE	APPROVE BY DATE
01			Jimmy 10/28/16	Lucas 10/28/16	Ray 10/28/16



GTC
R&D DEPT. ISSUE
OCT.31.2016
ONLY FOR
RELEASE

1	Black
2	Brown
3	Red
4	Orange
5	Yellow
6	Green
7	Blue
8	Violet
9	Gray
10	White
11	Pink
12	Light Green
	Drain

Wiring Diagram

Part No.	Cable Length	Tol.
GT152254-21121-10	10000 mm	+500
GT152254-21121-09	9000 mm	+450
GT152254-21121-08	8000 mm	+400
GT152254-21121-07	7000 mm	+150
GT152254-21121-06	6000 mm	+150
GT152254-21121-05	5000 mm	+150
GT152254-21121-04	4000 mm	+150
GT152254-21121-03	3000 mm	+100
GT152254-21121-02	2000 mm	+100
GT152254-21121-01	1000 mm	+50
GT152254-21121-Z9	900 mm	+50
GT152254-21121-Z8	800 mm	+50
GT152254-21121-Z7	700 mm	+50
GT152254-21121-Z6	600 mm	+50
GT152254-21121-Z5	500 mm	+50
GT152254-21121-Z4	400 mm	+50
GT152254-21121-Z3	300 mm	+25
GT152254-21121-Z2	200 mm	+25

Item	Part Name	Material/Finish	Q'ty
6	Cable	UL2464 26AWG*12C+Al/My+D ØD=6.0mm, Color: Black	1
5	Over Mold	PVC Color: Black	1
4	Inner Mold	Thermoplastic Color: White Or Black	1
3	Base	Thermoplastic Color: Black	1
2	Contacts	Copper Alloy Finish: Au Plated	12
1	Housing	Thermoplastic Color: Black	1

TITLE						DRAWING NUMBER			REV.	
C2 2A 12P Cable To Cable Male Lock With Cable						GT152254-21121-XX			01	
THIRD ANGLE PROJECTION	SIZE	SCALE	DRAW / DATE	CHECK / DATE	APPROVE / DATE	TOLERANCES		UNIT	SHEET	
	B	1:1	Jimmy 10/28/16	Lucas 10/28/16	Ray 10/28/16	X.X ± 0.5 X.XX ± 0.2	X.XXX ± 0.05 ANGLES ± 1°	mm	1/1	

GT Contact CO.,LTD

NOTICE OF PROPRIETARY PROPERTY:
THE INFORMATION CONTAINED HEREIN IS THE PROPRIETARY PROPERTY OF GT CONTACT CO.,LTD THE POSSESSOR AGREES TO THE FOLLOWING:
(a) TO MAINTAIN THIS DOCUMENT IN CONFIDENCE
(b) NOT TO REPRODUCE OR COPY IT
(c) NOT TO REVEAL OR PUBLISH IT IN WHOLE OR PART
(d) ALL RIGHTS RESERVED

1

2

3

4