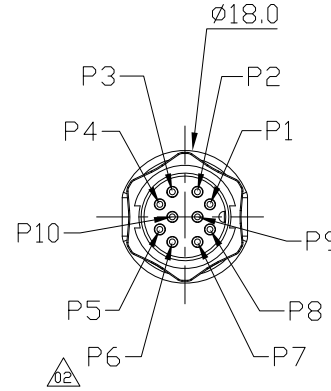
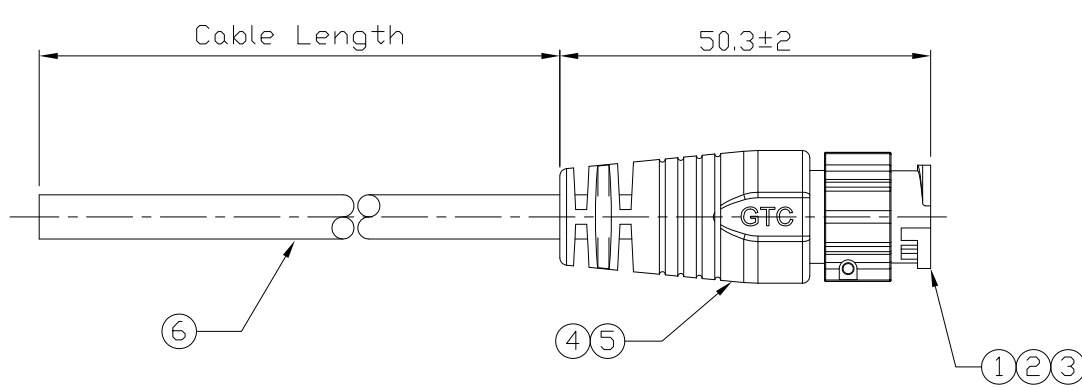


Notes: (Unless Otherwise Specified)

- 1. Waterproof Rate: IP67.
- 2. RoHS & REACH Compliant.

REV	ECN#	DESCRIPTION OF REVISION	DRAW BY DATE	CHECK BY DATE	APPROVE BY DATE
01			Lucas 06/28/11	Ray 06/28/11	Ray 06/28/11
02	ECN-141119	Modify Wiring Diagram & Pin No. Δ	Joyce 11/26/14	Lucas 11/26/14	Ray 11/26/14



GTC
R&D DEPT. ISSUE
OCT.31.2016
ONLY FOR
RELEASE

1	Brown
2	Blue
3	White
4	Green
5	Yellow
6	Gray
7	Violet
8	Red
9	Black
10	Orange

Δ Wiring Diagram

GT152254-21101-10	10000 mm	+500
GT152254-21101-09	9000 mm	+450
GT152254-21101-08	8000 mm	+400
GT152254-21101-07	7000 mm	+150
GT152254-21101-06	6000 mm	+150
GT152254-21101-05	5000 mm	+150
GT152254-21101-04	4000 mm	+150
GT152254-21101-03	3000 mm	+100
GT152254-21101-02	2000 mm	+100
GT152254-21101-01	1000 mm	+50
GT152254-21101-29	900 mm	+50
GT152254-21101-28	800 mm	+50
GT152254-21101-27	700 mm	+50
GT152254-21101-26	600 mm	+50
GT152254-21101-25	500 mm	+50
GT152254-21101-24	400 mm	+50
GT152254-21101-23	300 mm	+25
GT152254-21101-22	200 mm	+25
Part No.	Cable Length	Tol.

6	Cable	UL2464 26AWG*10C+Al/My+D, OD=6.0mm Color: Black	1
5	Over Mold	PVC Color: Black	1
4	Inner Mold	Thermoplastic Color: White Or Black	1
3	Base	Thermoplastic Color: Black	1
2	Contacts	Copper Alloy Finish: Au Plated	10
1	Housing	Thermoplastic Color: Black	1
Item	Part Name	Material/Finish	Q'ty

GT Contact CO.,LTD

NOTICE OF PROPRIETARY PROPERTY:
THE INFORMATION CONTAINED HEREIN IS THE PROPRIETARY PROPERTY OF GT CONTACT CO.,LTD THE POSSESSOR AGREES TO THE FOLLOWING:
(i) TO MAINTAIN THIS DOCUMENT IN CONFIDENCE
(ii) NOT TO REPRODUCE OR COPY IT
(iii) NOT TO REVEAL OR PUBLISH IT IN WHOLE OR PART
(iv) ALL RIGHTS RESERVED

TITLE						DRAWING NUMBER			REV.	
C2 2A 10P Cable To Cable Male Lock With Cable						GT152254-21101-XX			02	
	B	1:1	Lucas 06/28/11	Ray 06/28/11	Ray 06/28/11	X.X ± 0.5 X.XX ± 0.2	X.XXX ± 0.05 ANGLES ± 1°	mm	1/1	
THIRD ANGLE PROJECTION	SIZE	SCALE	DRAW / DATE	CHECK / DATE	APPROVE / DATE	TOLERANCES		UNIT	SHEET	