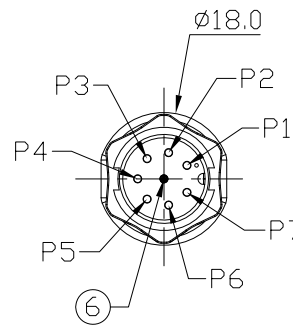
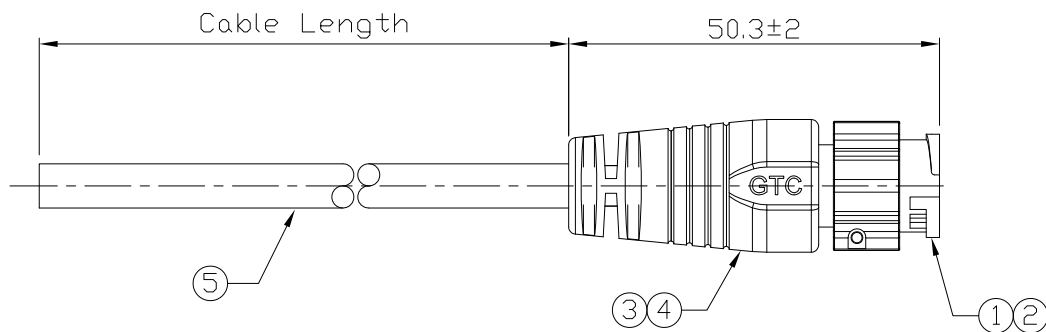


REV	ECN#	DESCRIPTION OF REVISION	DRAW BY DATE	CHECK BY DATE	APPROVE BY DATE
01			Hank 03/25/20	Lucas 03/25/20	Ray 03/25/20

Notes: (Unless Otherwise Specified)

1. Waterproof Rate: IP67.
2. RoHS Compliant.



GTC
DOC.CENTER.ISSUE
MAR.25.2020
ONLY FOR
RELEASE

1	Black
2	Brown
3	Red
4	Orange
5	Yellow
6	Green
7	Blue

Wiring Diagram

Part No.	Cable Length	Tol.
GT152254-02071-10	10000 mm	+500
GT152254-02071-09	9000 mm	+450
GT152254-02071-08	8000 mm	+400
GT152254-02071-07	7000 mm	+150
GT152254-02071-06	6000 mm	+150
GT152254-02071-05	5000 mm	+150
GT152254-02071-04	4000 mm	+150
GT152254-02071-03	3000 mm	+100
GT152254-02071-02	2000 mm	+100
GT152254-02071-01	1000 mm	+50
GT152254-02071-29	900 mm	+50
GT152254-02071-28	800 mm	+50
GT152254-02071-27	700 mm	+50
GT152254-02071-26	600 mm	+50
GT152254-02071-25	500 mm	+50
GT152254-02071-24	400 mm	+50
GT152254-02071-23	300 mm	+25
GT152254-02071-22	200 mm	+25

Item	Part Name	Material/Finish	Q'ty
6	Gland Pin	Thermoplastic Color: Black	1
5	Cable	UL2464 24AWG*7C+AL/My+D OD=5.0mm, Color: Black	1
4	Over Mold	PVC Color: Black	1
3	Inner Mold	Thermoplastic Color: White Or Black	1
2	Contacts	Copper Alloy Finish: Au Plated	7
1	Housing	Thermoplastic Color: Black	1

GT Contact CO.,LTD

NOTICE OF PROPRIETARY PROPERTY:
THE INFORMATION CONTAINED HEREIN IS THE PROPRIETARY PROPERTY OF GT Contact CO.,LTD THE POSSESSOR AGREES TO THE FOLLOWING:
(a) TO MAINTAIN THIS DOCUMENT IN CONFIDENCE
(b) NOT TO REPRODUCE OR COPY IT
(c) NOT TO REVEAL OR PUBLISH IT IN WHOLE OR PART
(d) ALL RIGHTS RESERVED

TITLE						DRAWING NUMBER			REV.
C2 5A 7P Cable To Cable Male Lock						GT152254-02071-XX			01
THIRD ANGLE PROJECTION	SIZE	SCALE	DRAW / DATE	CHECK / DATE	APPROVE / DATE	TOLERANCES		SHEET	
	B	1:1	Hank 03/25/20	Lucas 03/25/20	Ray 03/25/20	X.X ± 0.5 X.XX ± 0.2	X.XXX ± 0.05 ANGLES ± 1°	mm 1/1	