

1

2

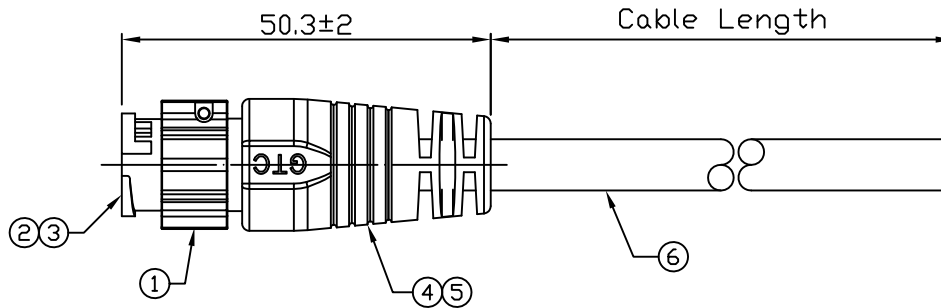
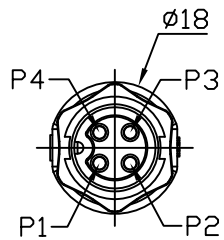
3

4

Notes: (Unless Otherwise Specified)

- 1. WaterProof Rate : IP67
- 2. RoHS Compliant.

REV	ECN#	DESCRIPTION OF REVISION	DRAW BY DATE	CHECK BY DATE	APPROVE BY DATE
01			Hank 02/10/23	Lucas 02/10/23	Ray 02/10/23



Item	Part Name	Material / Finish	Q'ty
6	Cable	UL2464 16AWG*4C ØD=7.0mm, Color: Black	1
5	Over Mold	PVC Color: Black	1
4	Inner Mold	Thermoplastic Color: White Or Black	1
3	Base	Thermoplastic Color: Black	1
2	Contacts	Copper Alloy Finish: Au Plated	4
1	Housing	Thermoplastic Color: Black	1

1	Black
2	Brown
3	Red
4	Orange

Wiring Diagram



GT152244-23041-10	10000mm	+500
GT152244-23041-09	9000mm	+450
GT152244-23041-08	8000mm	+400
GT152244-23041-07	7000mm	+150
GT152244-23041-06	6000mm	+150
GT152244-23041-05	5000mm	+150
GT152244-23041-04	4000mm	+150
GT152244-23041-03	3000mm	+100
GT152244-23041-02	2000mm	+100
GT152244-23041-01	1000mm	+50
GT152244-23041-Z9	900mm	+50
GT152244-23041-Z8	800mm	+50
GT152244-23041-Z7	700mm	+50
GT152244-23041-Z6	600mm	+50
GT152244-23041-Z5	500mm	+50
GT152244-23041-Z4	400mm	+50
GT152244-23041-Z3	300mm	+25
GT152244-23041-Z2	200mm	+25
Part No.	Cable Length	Tol.

GT Contact CO.,LTD

NOTICE OF PROPRIETARY PROPERTY:
 THE INFORMATION CONTAINED HEREIN IS THE PROPRIETARY PROPERTY OF GT Contact CO.,LTD THE POSSESSOR AGREES TO THE FOLLOWING:
 (1) TO MAINTAIN THIS DOCUMENT IN CONFIDENCE
 (2) NOT TO REPRODUCE OR COPY IT
 (3) NOT TO REVEAL OR PUBLISH IT IN WHOLE OR PART
 (4) ALL RIGHTS RESERVED

TITLE						DRAWING NUMBER			REV.	
C2 10A 4P Cable To Cable Female Lock						GT152244-23041-XX			01	
	B	1:1	Hank 02/10/23	Lucas 02/10/23	Ray 02/10/23	X.X ± 0.5	X.XXX ± 0.05	mm	1/1	
THIRD ANGLE PROJECTION	SIZE	SCALE	DRAW / DATE	CHECK / DATE	APPROVE / DATE	TOLERANCES		UNIT	SHEET	

1

2

3

4