

Notes: (Unless Otherwise Specified)

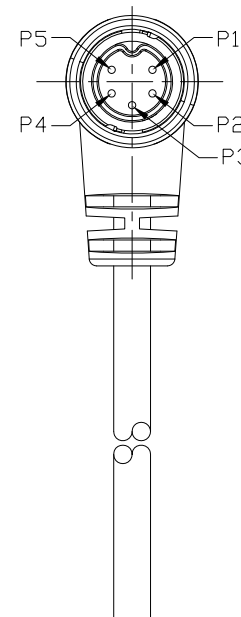
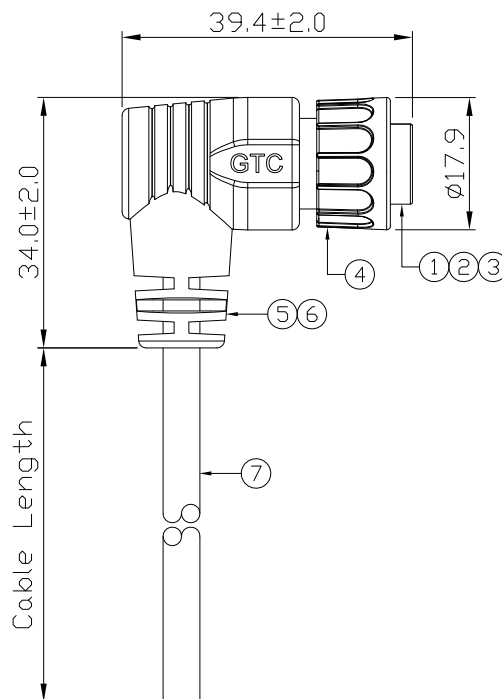
1. Waterproof Rate: IP67.
2. RoHS Compliant.

REV	ECN#	DESCRIPTION OF REVISION	DRAW BY DATE	CHECK BY DATE	APPROVE BY DATE
A1	ECN-231017	GT152235-22051-XX(F) To GT152235-22051-XX.	Aileen 10/30/23	Hank 10/30/23	Lucas 10/30/23

GTC  
DOC.CENTER.ISSUE  
NOV.07.2023  
ONLY FOR  
RELEASE

1	Black
2	Brown
3	Red
4	Orange
5	Yellow

Wiring Diagram



Part No.	Cable Length	Tol.
GT152235-22051-10	10000 mm	+500
GT152235-22051-09	9000 mm	+450
GT152235-22051-08	8000 mm	+400
GT152235-22051-07	7000 mm	+150
GT152235-22051-06	6000 mm	+150
GT152235-22051-05	5000 mm	+150
GT152235-22051-04	4000 mm	+150
GT152235-22051-03	3000 mm	+100
GT152235-22051-02	2000 mm	+100
GT152235-22051-01	1000 mm	+50
GT152235-22051-Z9	900 mm	+50
GT152235-22051-Z8	800 mm	+50
GT152235-22051-Z7	700 mm	+50
GT152235-22051-Z6	600 mm	+50
GT152235-22051-Z5	500 mm	+50
GT152235-22051-Z4	400 mm	+50
GT152235-22051-Z3	300 mm	+25
GT152235-22051-Z2	200 mm	+25

Item	Part Name	Material / Finish	Q'ty
7	Cable	UL2464 24AWG*5C+Al/My+D Color: Black, OD=5.0mm	1
6	Over Mold	PVC Color: Black	1
5	Inner Mold	Thermoplastic Color: Black or White	1
4	Lock Nut	Thermoplastic Color: Black	1
3	O-Ring	Silicone Color: Red	1
2	Contacts	Copper Alloy Finish: Au Plated	5
1	Housing	Thermoplastic Color: Black	1

TITLE C2 5A 5P Cable End 90° Male Lock					DRAWING NUMBER GT152235-22051-XX			REV. A1	
---	--	--	--	--	-------------------------------------	--	--	------------	--

THIRD ANGLE PROJECTION	SIZE	SCALE	DRAW / DATE	CHECK / DATE	APPROVE / DATE	TOLERANCES	UNIT	SHEET
	B	1:1	Aileen 10/18/23	Hank 10/18/23	Lucas 10/18/23	X.X ± 0.5 X.XX ± 0.2	X.XXX ± 0.05 ANGLES ± 1°	mm 1/1

GT Contact CO.,LTD

NOTICE OF PROPRIETARY PROPERTY:  
THE INFORMATION CONTAINED HEREIN IS THE PROPRIETARY PROPERTY OF GT Contact CO.,LTD THE POSSESSOR AGREES TO THE FOLLOWING:  
(a) TO MAINTAIN THIS DOCUMENT IN CONFIDENCE  
(b) NOT TO REPRODUCE OR COPY IT  
(c) NOT TO REVEAL OR PUBLISH IT IN WHOLE OR PART  
(d) ALL RIGHTS RESERVED