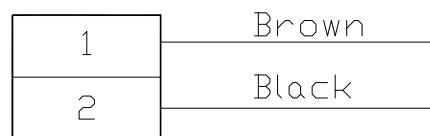


Notes: (Unless Otherwise Specified)

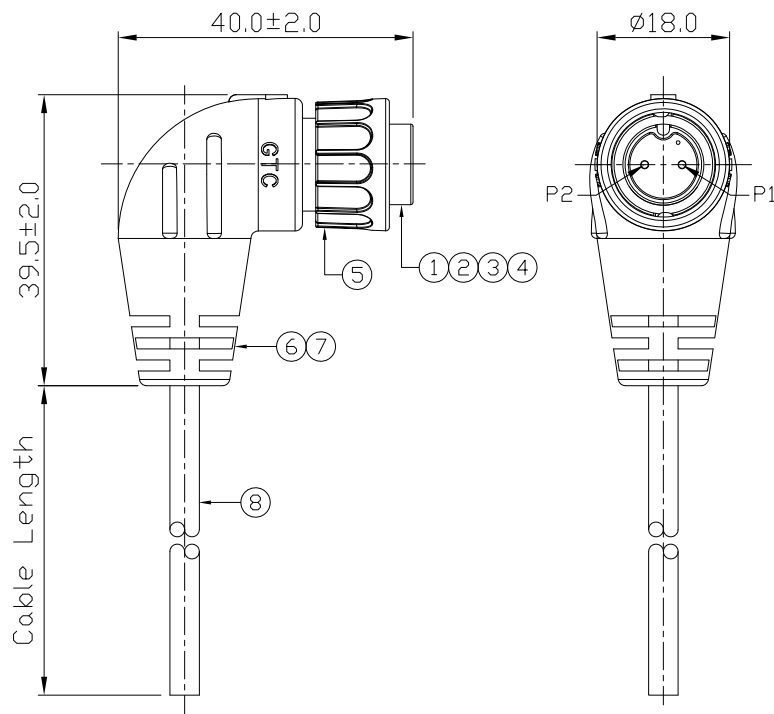
1. Waterproof Rate: IP67.
2. RoHS Compliant.

REV	ECN#	DESCRIPTION OF REVISION	DRAW BY DATE	CHECK BY DATE	APPROVE BY DATE
01			Aileen 10/31/23	Hank 10/31/23	Lucas 10/31/23

GTC
DOC.CENTER.ISSUE
OCT.31.2023
ONLY FOR
RELEASE



Wiring Diagram



Part No.	Cable Length	Tol.
GT152235-22021-10	10000 mm	+500
GT152235-22021-09	9000 mm	+450
GT152235-22021-08	8000 mm	+400
GT152235-22021-07	7000 mm	+150
GT152235-22021-06	6000 mm	+150
GT152235-22021-05	5000 mm	+150
GT152235-22021-04	4000 mm	+150
GT152235-22021-03	3000 mm	+100
GT152235-22021-02	2000 mm	+100
GT152235-22021-01	1000 mm	+50
GT152235-22021-Z9	900 mm	+50
GT152235-22021-Z8	800 mm	+50
GT152235-22021-Z7	700 mm	+50
GT152235-22021-Z6	600 mm	+50
GT152235-22021-Z5	500 mm	+50
GT152235-22021-Z4	400 mm	+50
GT152235-22021-Z3	300 mm	+25
GT152235-22021-Z2	200 mm	+25
GT152235-22021-Z1	100 mm	+25

Item	Part Name	Material / Finish	Q'ty
8	Cable	UL2464 24AWG*2C+D+Al/My OD=4.0mm, Color: Black	1
7	Over Mold	PVC Color: Black	1
6	Inner Mold	Thermoplastic Color: Black or White	1
5	Lock Nut	Thermoplastic Color: Black	1
4	O-Ring	Silicone Color: Red	1
3	Contacts	Copper Alloy Finish: Au Plated	2
2	Base	Thermoplastic Color: Black	1
1	Housing	Thermoplastic Color: Black	1

TITTLE C2 5A 2P Cable End 90° Male Lock						DRAWING NUMBER GT152235-22021-XX			REV. 01	
	B	1:1	Aileen 10/31/23	Hank 10/31/23	Lucas 10/31/23	X.X ± 0.5 X.XX ± 0.2	X.XXX ± 0.05 ANGLES ± 1°	mm	1/1	
THIRD ANGLE PROJECTION	SIZE	SCALE	DRAW / DATE	CHECK / DATE	APPROVE / DATE	TOLERANCES		UNIT	SHEET	

GT Contact CO.,LTD

NOTICE OF PROPRIETARY PROPERTY:

THE INFORMATION CONTAINED HEREIN IS THE PROPRIETARY PROPERTY OF GT Contact CO.,LTD THE POSSESSOR AGREES TO THE FOLLOWING:

(a) TO MAINTAIN THIS DOCUMENT IN CONFIDENCE

(b) NOT TO REPRODUCE OR COPY IT

(c) NOT TO REVEAL OR PUBLISH IT IN WHOLE OR PART

(d) ALL RIGHTS RESERVED