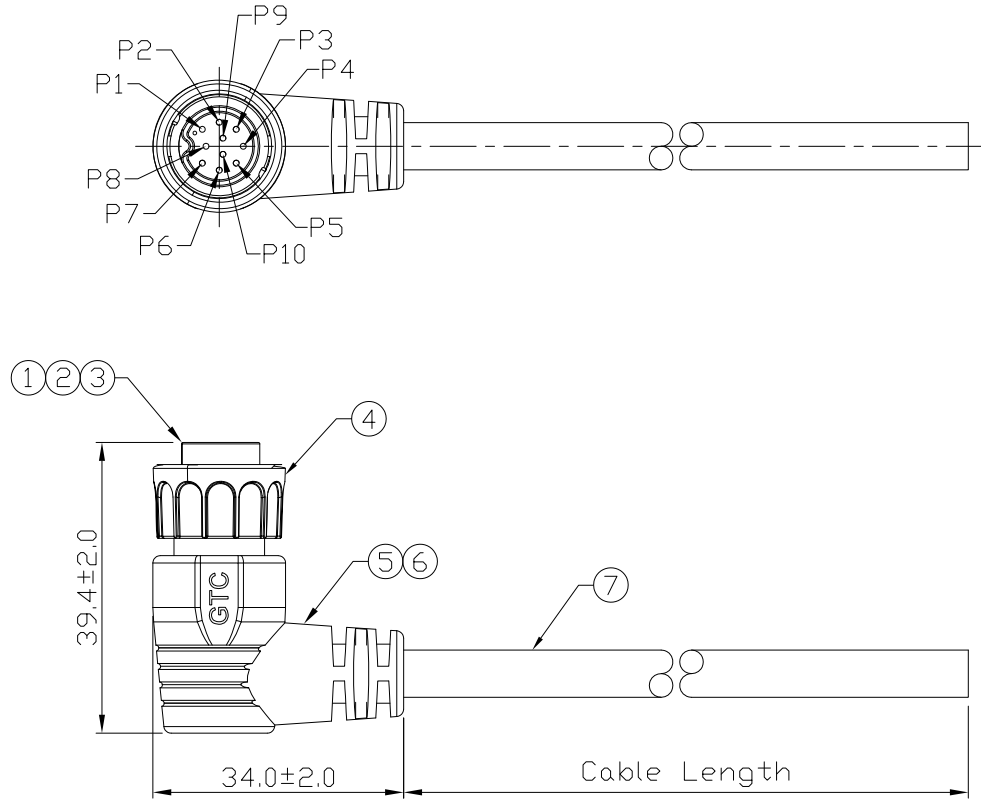


Notes: (Unless Otherwise Specified)  
 1. Waterproof Rate : IP67.  
 2. RoHS Compliant.

REV	ECN#	DESCRIPTION OF REVISION	DRAW BY DATE	CHECK BY DATE	APPROVE BY DATE
01			Lucas 05/30/19	Lucas 05/30/19	Ray 05/30/19

1	Brown
2	Blue
3	White
4	Green
5	Yellow
6	Gray
7	Violet
8	Red
9	Black
10	Orange

Wiring Diagram



GT152235-21101-10	10000 mm	+500
GT152235-21101-09	9000 mm	+450
GT152235-21101-08	8000 mm	+400
GT152235-21101-07	7000 mm	+150
GT152235-21101-06	6000 mm	+150
GT152235-21101-05	5000 mm	+150
GT152235-21101-04	4000 mm	+150
GT152235-21101-03	3000 mm	+100
GT152235-21101-02	2000 mm	+100
GT152235-21101-01	1000 mm	+50
GT152235-21101-29	900 mm	+50
GT152235-21101-28	800 mm	+50
GT152235-21101-27	700 mm	+50
GT152235-21101-26	600 mm	+50
GT152235-21101-25	500 mm	+50
GT152235-21101-24	400 mm	+50
GT152235-21101-23	300 mm	+25
GT152235-21101-22	200 mm	+25
GT152235-21101-21	100 mm	+25
Part No.	Cable Length	Tol.

7	Cable	UL2464 26AWG*10C+D+Al/My OD=6.0mm, Color:Black	1
6	Over Mold	PVC Color: Black	1
5	Inner Mold	Thermoplastic Color: White or Black	1
4	Lock Nut	Thermoplastic Color: Black	1
3	O-Ring	Silicone Color: Red	1
2	Contacts	Copper Alloy Finish: Au Plated	10
1	Housing	Thermoplastic Color: Black	1
Item	Part Name	Material / Finish	Q'ty

TITLE						DRAWING NUMBER			REV.	
C2 2A 10P Cable End 90° Male Lock With Cable						GT152235-21101-XX			01	
	B	1:1	Lucas 05/30/19	Lucas 05/30/19	Ray 05/30/19	X.X ± 0.5 X.XX ± 0.2	X.XXX ± 0.05 ANGLES ± 1°	mm	1/1	
THIRD ANGLE PROJECTION	SIZE	SCALE	DRAW / DATE	CHECK / DATE	APPROVE / DATE	TOLERANCES		UNIT	SHEET	

GT Contact CO.,LTD

NOTICE OF PROPRIETARY PROPERTY:  
 THE INFORMATION CONTAINED HEREIN IS THE PROPRIETARY PROPERTY OF GT Contact CO.,LTD THE POSSESSOR AGREES TO THE FOLLOWING:  
 (i) TO MAINTAIN THIS DOCUMENT IN CONFIDENCE  
 (ii) NOT TO REPRODUCE OR COPY IT  
 (iii) NOT TO REVEAL OR PUBLISH IT IN WHOLE OR PART  
 (iv) ALL RIGHTS RESERVED