

1

2

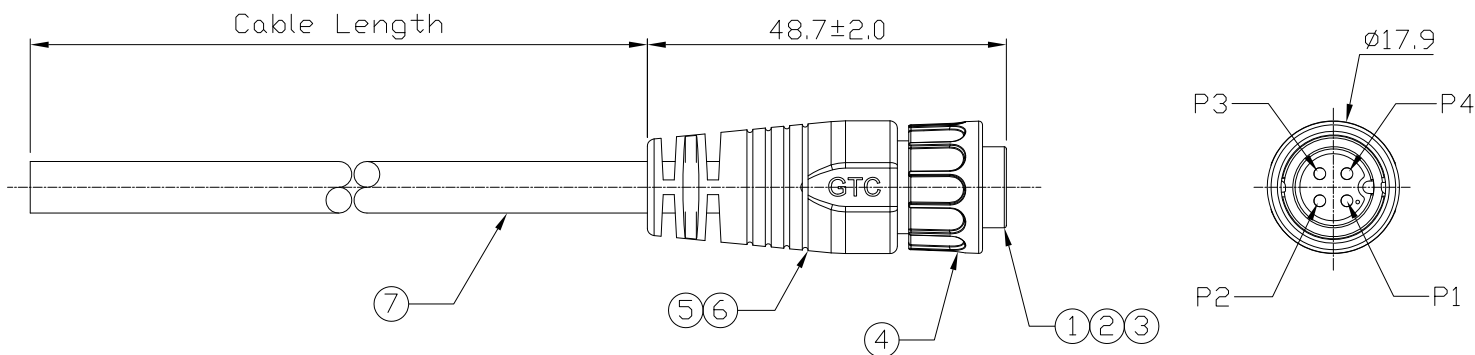
3

4

REV	ECN#	DESCRIPTION OF REVISION	DRAW BY DATE	CHECK BY DATE	APPROVE BY DATE
01			Lucas 04/27/17	Ray 04/27/17	Ray 04/27/17

Notes: (Unless Otherwise Specified)

- 1. Waterproof Rate: IP67.
- 2. RoHS & REACH Compliant.



GTC
DOC.CENTER.ISSUE
APR.27.2017
ONLY FOR
RELEASE

1	Black
2	Brown
3	Red
4	Orange

Wiring Diagram

GT152234-23041-10	10000 mm	+500
GT152234-23041-09	9000 mm	+450
GT152234-23041-08	8000 mm	+400
GT152234-23041-07	7000 mm	+150
GT152234-23041-06	6000 mm	+150
GT152234-23041-05	5000 mm	+150
GT152234-23041-04	4000 mm	+150
GT152234-23041-03	3000 mm	+100
GT152234-23041-02	2000 mm	+100
GT152234-23041-01	1000 mm	+50
GT152234-23041-Z9	900 mm	+50
GT152234-23041-Z8	800 mm	+50
GT152234-23041-Z7	700 mm	+50
GT152234-23041-Z6	600 mm	+50
GT152234-23041-Z5	500 mm	+50
GT152234-23041-Z4	400 mm	+50
GT152234-23041-Z3	300 mm	+25
GT152234-23041-Z2	200 mm	+25
Part No.	Cable Length	Tol.

7	Cable	UL2464 16AWG*4C, OD=7.0mm Color: Black	1
6	Over Mold	PVC Color: Black	1
5	Inner Mold	Thermoplastic Color: White Or Black	1
4	Lock Nut	Thermoplastic Color: Black	1
3	O-ring	Silicone Color: Red	1
2	Contacts	Copper Alloy Finish: Au Plated	4
1	Housing	Thermoplastic Color: Black	1
Item	Part Name	Material/Finish	Q'ty

GT Contact CO.,LTD

NOTICE OF PROPRIETARY PROPERTY:
THE INFORMATION CONTAINED HEREIN IS THE PROPRIETARY PROPERTY OF GT Contact CO.,LTD THE POSSESSOR AGREES TO THE FOLLOWING:
(a) TO MAINTAIN THIS DOCUMENT IN CONFIDENCE
(b) NOT TO REPRODUCE OR COPY IT
(c) NOT TO REVEAL OR PUBLISH IT IN WHOLE OR PART
(d) ALL RIGHTS RESERVED

TITLE						DRAWING NUMBER			REV.
C2 10A 4P Cable End Male Lock						GT152234-23041-XX			01
THIRD ANGLE PROJECTION	SIZE	SCALE	DRAW / DATE	CHECK / DATE	APPROVE / DATE	TOLERANCES	UNIT	SHEET	
	B	1:1	Lucas 04/27/17	Ray 04/27/17	Ray 04/27/17	X.X ± 0.5 X.XX ± 0.2	X.XXX ± 0.05 ANGLES ± 1°	mm 1/1	