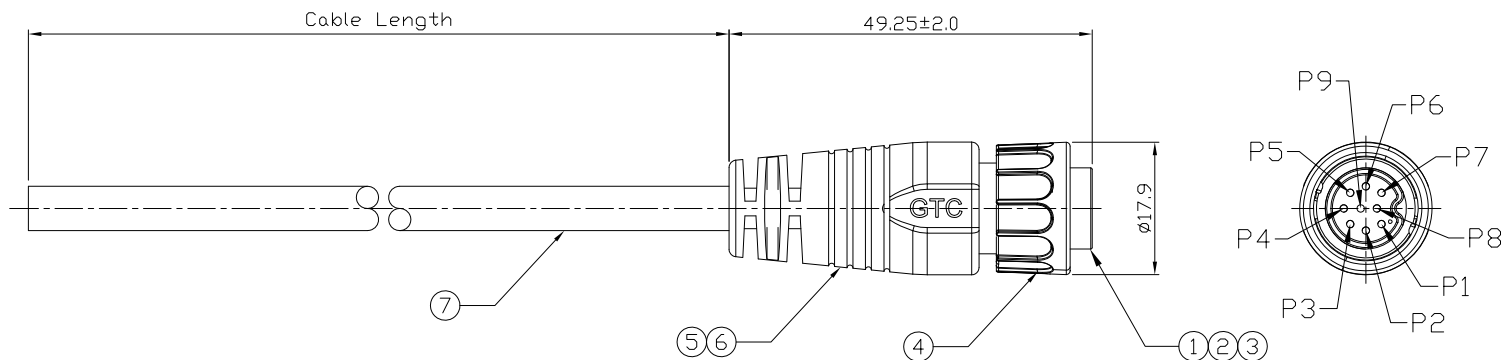


Notes: (Unless Otherwise Specified)
 1. Waterproof Rate: IP67.
 2. RoHS Compliant.

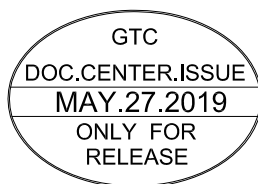
| REV | ECN# | DESCRIPTION OF REVISION | DRAW BY DATE | CHECK BY DATE | APPROVE BY DATE |
|-----|------|-------------------------|-------------------|-------------------|-----------------|
| 01 | | | Lucas 05/27/19 | Lucas 05/27/19 | Ray 05/27/19 |



| | | |
|----------------------|----------|------|
| GT152234-22091-10(F) | 10000 mm | +500 |
| GT152234-22091-09(F) | 9000 mm | +450 |
| GT152234-22091-08(F) | 8000 mm | +400 |
| GT152234-22091-07(F) | 7000 mm | +150 |
| GT152234-22091-06(F) | 6000 mm | +150 |
| GT152234-22091-05(F) | 5000 mm | +150 |
| GT152234-22091-04(F) | 4000 mm | +150 |
| GT152234-22091-03(F) | 3000 mm | +100 |
| GT152234-22091-02(F) | 2000 mm | +100 |
| GT152234-22091-01(F) | 1000 mm | +50 |
| GT152234-22091-Z9(F) | 900 mm | +50 |
| GT152234-22091-Z8(F) | 800 mm | +50 |
| GT152234-22091-Z7(F) | 700 mm | +50 |
| GT152234-22091-Z6(F) | 600 mm | +50 |
| GT152234-22091-Z5(F) | 500 mm | +50 |
| GT152234-22091-Z4(F) | 400 mm | +50 |
| GT152234-22091-Z3(F) | 300 mm | +25 |
| GT152234-22091-Z2(F) | 200 mm | +25 |
| GT152234-22091-Z1(F) | 100 mm | +25 |

| | |
|---|--------|
| 1 | Black |
| 2 | Brown |
| 3 | Red |
| 4 | Orange |
| 5 | Yellow |
| 6 | Green |
| 7 | Blue |
| 8 | Violet |
| 9 | Gray |

Wiring Diagram



| Item | Part Name | Material / Finish | Q'ty |
|------|------------|---|------|
| 7 | Cable | UL2464 24AWG*9C+D+Al/My (UV) DD=6.0mm, Color:Black | 1 |
| 6 | Over Mold | PVC Color: Black | 1 |
| 5 | Inner Mold | Thermoplastic Color: White or Black | 1 |
| 4 | Lock Nut | Thermoplastic Color: Black | 1 |
| 3 | D-Ring | Silicone Color: Red | 1 |
| 2 | Contacts | Copper Alloy Finish: Au Plated | 9 |
| 1 | Housing | Thermoplastic Color: Black | 1 |

| Part No. | Cable Length | Tol. |
|----------|--------------|------|
|----------|--------------|------|

GT Contact CO.,LTD

NOTICE OF PROPRIETARY PROPERTY:
 THE INFORMATION CONTAINED HEREIN IS THE PROPRIETARY PROPERTY OF GT Contact CO.,LTD THE POSSESSOR AGREES TO THE FOLLOWING:
 (i) TO MAINTAIN THIS DOCUMENT IN CONFIDENCE
 (ii) NOT TO REPRODUCE OR COPY IT
 (iii) NOT TO REVEAL OR PUBLISH IT IN WHOLE OR PART
 (iv) ALL RIGHTS RESERVED

| TITLE | | | | | | DRAWING NUMBER | | | REV. | |
|---|------|-------|----------------|----------------|----------------|-------------------------|-----------------------------|------|-------|--|
| C2 5A 9P Cable End Male Lock With Cable | | | | | | GT152234-22091-XX(F) | | | 01 | |
| | B | 1:1 | Lucas 05/27/19 | Lucas 05/27/19 | Ray 05/27/19 | X.X ± 0.5 X.XX ± 0.2 | X.XXX ± 0.05 ANGLES ± 1° | mm | 1/1 | |
| THIRD ANGLE PROJECTION | SIZE | SCALE | DRAW / DATE | CHECK / DATE | APPROVE / DATE | TOLERANCES | | UNIT | SHEET | |