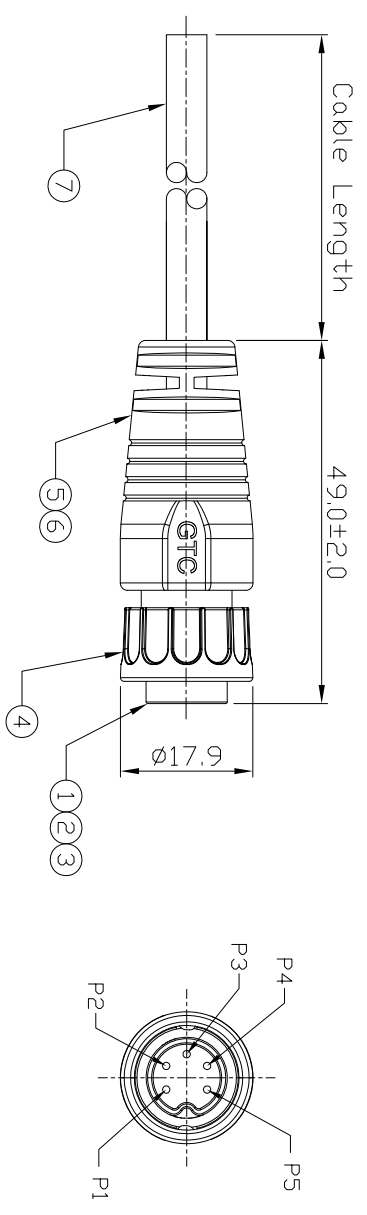


Notes: (Unless Otherwise Specified)  
 1. Waterproof Rate: IP67.  
 2. RoHS Compliant.

REV	ECN#	DESCRIPTION OF REVISION	DRAW BY DATE	CHECK BY DATE	APPROVE BY DATE
A0		Mass Production	Joyce 12/14/12	Lucas 12/14/12	Roy 12/14/12



Item	Part Name	Material / Finish	Qty
7	Cable	UL246+ 24AWG*5C+Al/MY+D Color: Black, DD=5.0mm	1
6	Diver Mold	PVC Color: Black	1
5	Inner Mold	Thermoplastic Color: Black or White	1
4	Lock Nut	Thermoplastic Color: Black	1
3	O-Ring	Silicone Color: Red	1
2	Contacts	Copper Alloy Finish: Au Plated	5
1	Housing	Thermoplastic Color: Black	1

GTC  
 DOC.CENTERISSUE  
 DEC.14.2012  
 ONLY FOR  
 RELEASE

1	Black
2	Brown
3	Red
4	Orange
5	Yellow

Wiring Diagram

Part No.	Cable Length	Tol.
GT152234-22051-10	1000 mm	±500
GT152234-22051-09	900 mm	±450
GT152234-22051-08	800 mm	±400
GT152234-22051-07	700 mm	±350
GT152234-22051-06	600 mm	±300
GT152234-22051-05	500 mm	±250
GT152234-22051-04	400 mm	±200
GT152234-22051-03	300 mm	±150
GT152234-22051-02	200 mm	±100
GT152234-22051-01	1000 mm	±50
GT152234-22051-29	900 mm	±40
GT152234-22051-28	800 mm	±40
GT152234-22051-27	700 mm	±40
GT152234-22051-26	600 mm	±40
GT152234-22051-25	500 mm	±40
GT152234-22051-24	400 mm	±20
GT152234-22051-23	300 mm	±10
GT152234-22051-22	200 mm	±10

GT Contact CD,LTID

TITLE	DRAWING NUMBER	REV.
C2 5A 5P Cable End Male Lock	GT152234-22051-XX	A0

DD NOT SCALE DRAWINGS	B	1:1	Joyce 12/14/12	Lucas 12/14/12	Roy 12/14/12	XX	± 0.5	XXXX	± 0.05	mm	1/1
THIRD ANGLE PROJECTION	SIZE	SCALE	DRAW / DATE	CHECK / DATE	APPROVE / DATE	XXX	± 0.2	ANGLES	± 1°	UNIT	SHEET

NOTICE OF PROPRIETARY PROPERTY:  
 THE INFORMATION CONTAINED HEREIN IS THE PROPRIETARY PROPERTY OF GT CONTACT COL.LTD THE POSSESSOR AGREES TO MAINTAIN THIS DOCUMENT IN CONFIDENCE AND NOT TO REPRODUCE OR PUBLISH IT IN WHOLE OR PART (W) ALL RIGHTS RESERVED