

1

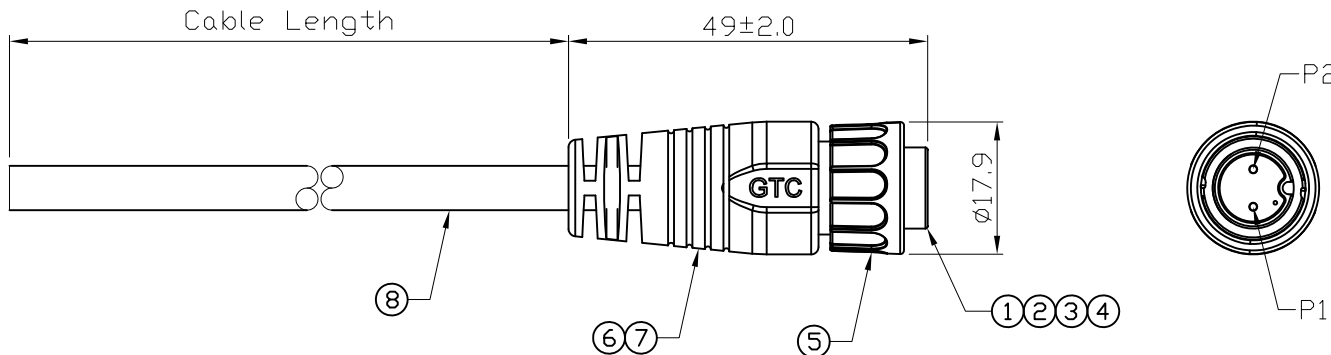
2

3

4

Notes: (Unless Otherwise Specified)
 1. Waterproof Rate : IP67.
 2. RoHS Compliant.

| REV | ECN# | DESCRIPTION OF REVISION | DRAW BY DATE | CHECK BY DATE | APPROVE BY DATE |
|-----|------|-------------------------|----------------|---------------|-----------------|
| A0 | | Mass Production | Lucas 11/29/12 | Ray 11/29/12 | Ray 11/29/12 |



| | | |
|-------------------|--------------|------|
| GT152234-22021-10 | 10000 mm | ±500 |
| GT152234-22021-09 | 9000 mm | ±450 |
| GT152234-22021-08 | 8000 mm | ±400 |
| GT152234-22021-07 | 7000 mm | ±350 |
| GT152234-22021-06 | 6000 mm | ±300 |
| GT152234-22021-05 | 5000 mm | ±250 |
| GT152234-22021-04 | 4000 mm | ±200 |
| GT152234-22021-03 | 3000 mm | ±150 |
| GT152234-22021-02 | 2000 mm | ±100 |
| GT152234-22021-01 | 1000 mm | ±50 |
| GT152234-22021-29 | 900 mm | ±40 |
| GT152234-22021-28 | 800 mm | ±40 |
| GT152234-22021-27 | 700 mm | ±40 |
| GT152234-22021-26 | 600 mm | ±40 |
| GT152234-22021-25 | 500 mm | ±40 |
| GT152234-22021-24 | 400 mm | ±20 |
| GT152234-22021-23 | 300 mm | ±10 |
| GT152234-22021-22 | 200 mm | ±10 |
| Part No. | Cable Length | Tol. |

GTC
 DOC.CENTER.ISSUE
 NOV.29.2012
 ONLY FOR
 RELEASE

| | |
|---|-------|
| 1 | Brown |
| 2 | Black |

Wiring Diagram

| Item | Part Name | Material / Finish | Q'ty |
|------|------------|--|------|
| 8 | Cable | UL2464 24AWG*2C+D+AI/My, OD=4.0mm Color:Black | 1 |
| 7 | Over Mold | PVC Color: Black | 1 |
| 6 | Inner Mold | Thermoplastic Color: White or Black | 1 |
| 5 | Lock Nut | Thermoplastic Color: Black | 1 |
| 4 | O-Ring | Silicone Color: Red | 1 |
| 3 | Contacts | Copper Alloy Finish: Au Plated | 2 |
| 2 | Base | Thermoplastic Color: Black | 1 |
| 1 | Housing | Thermoplastic Color: Black | 1 |

| TITLE | | | | | | DRAWING NUMBER | | | REV. | |
|------------------------------|------|-------|-------------|----------------|----------------|-------------------------|-----------------------------|------|-------|--|
| C2 5A 2P Cable End Male Lock | | | | | | GT152234-22021-XX | | | A0 | |
| THIRD ANGLE PROJECTION | SIZE | SCALE | DRAW / DATE | CHECK / DATE | APPROVE / DATE | X.X ± 0.5 X.XX ± 0.2 | X.XXX ± 0.05 ANGLES ± 1° | mm | 1/1 | |
| DO NOT SCALE DRAWINGS | | B | 1:1 | Lucas 11/29/12 | Ray 11/29/12 | TOLERANCES | | UNIT | SHEET | |

GT Contact CO.,LTD

NOTICE OF PROPRIETARY PROPERTY:
 THE INFORMATION CONTAINED HEREIN IS THE PROPRIETARY PROPERTY OF GT Contact CO.,LTD THE POSSESSOR AGREES TO THE FOLLOWING:
 (a) TO MAINTAIN THIS DOCUMENT IN CONFIDENCE
 (b) NOT TO REPRODUCE OR COPY IT
 (c) NOT TO REVEAL OR PUBLISH IT IN WHOLE OR PART
 (d) ALL RIGHTS RESERVED

1

2

3

4