

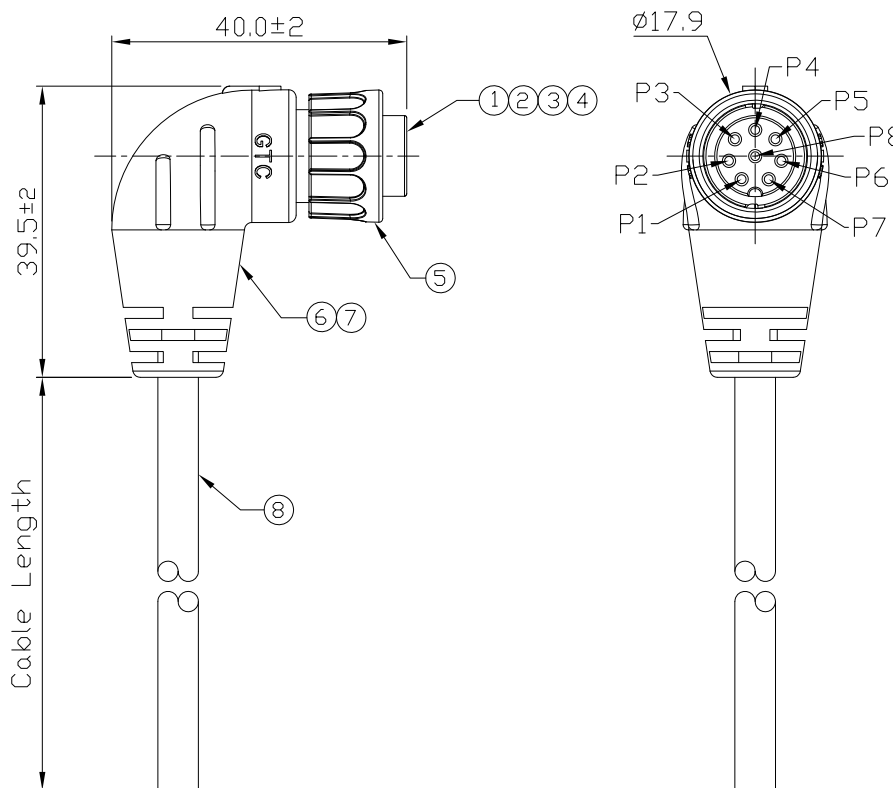
Notes: (Unless Otherwise Specified)

1. Waterproof Rate : IP67.
2. RoHS Compliant.

REV	ECN#	DESCRIPTION OF REVISION	DRAW BY DATE	CHECK BY DATE	APPROVE BY DATE
A0		Mass Production	Hank 08/09/16	Lucas 08/09/16	Ray 08/09/16

1	Black
2	Brown
3	Orange
4	Yellow
5	Green
6	Blue
7	Violet
8	White
	Drain

Wiring Diagram



GTC
DOC.CENTER.ISSUE
AUG.10.2016
ONLY FOR
RELEASE

Item	Part Name	Material / Finish	Q'ty
8	Cable	UL2464 24AWG*8C+D+Al/My (UV) ØD=5.5mm, Color:Black	1
7	Over Mold	PVC Color: Black	1
6	Inner Mold	Thermoplastic Color: White or Black	1
5	Lock Nut	Thermoplastic Color: Black	1
4	Base	Thermoplastic Color: Black	1
3	O-Ring	Silicone Color: Red	1
2	Contacts	Copper Alloy Finish: Au Plated	8
1	Housing	Thermoplastic Color: Black	1

GT152229-22081-10	10000mm	+500
GT152229-22081-09	9000mm	+450
GT152229-22081-08	8000mm	+400
GT152229-22081-07	7000mm	+150
GT152229-22081-06	6000mm	+150
GT152229-22081-05	5000mm	+150
GT152229-22081-04	4000mm	+150
GT152229-22081-03	3000mm	+100
GT152229-22081-02	2000mm	+100
GT152229-22081-01	1000mm	+50
GT152229-22081-Z9	900mm	+50
GT152229-22081-Z8	800mm	+50
GT152229-22081-Z7	700mm	+50
GT152229-22081-Z6	600mm	+50
GT152229-22081-Z5	500mm	+50
GT152229-22081-Z4	400mm	+50
GT152229-22081-Z3	300mm	+25
GT152229-22081-Z2	200mm	+25
Part No.	Cable Length	Tol.

TITLE						DRAWING NUMBER			REV.	
C2 5A 8P Cable End 90° Female Lock With Cable						GT152229-22081-XX			A0	
	B	1:1	Hank 08/09/16	Lucas 08/09/16	Ray 08/09/16	X.X X.XX	± 0.5 ± 0.2	X.XXX ANGLES	± 0.05 ± 1°	mm 1/1
THIRD ANGLE PROJECTION	SIZE	SCALE	DRAW / DATE	CHECK / DATE	APPROVE / DATE	TOLERANCES		UNIT	SHEET	

GT Contact CO.,LTD

NOTICE OF PROPRIETARY PROPERTY:
THE INFORMATION CONTAINED HEREIN IS THE PROPRIETARY PROPERTY OF GT Contact CO.,LTD THE POSSESSOR AGREES TO THE FOLLOWING:
(A) TO MAINTAIN THIS DOCUMENT IN CONFIDENCE
(B) NOT TO REPRODUCE OR COPY IT
(C) NOT TO REVEAL OR PUBLISH IT IN WHOLE OR PART
(D) ALL RIGHTS RESERVED