

1

2

3

4

Notes: (Unless Otherwise Specified)

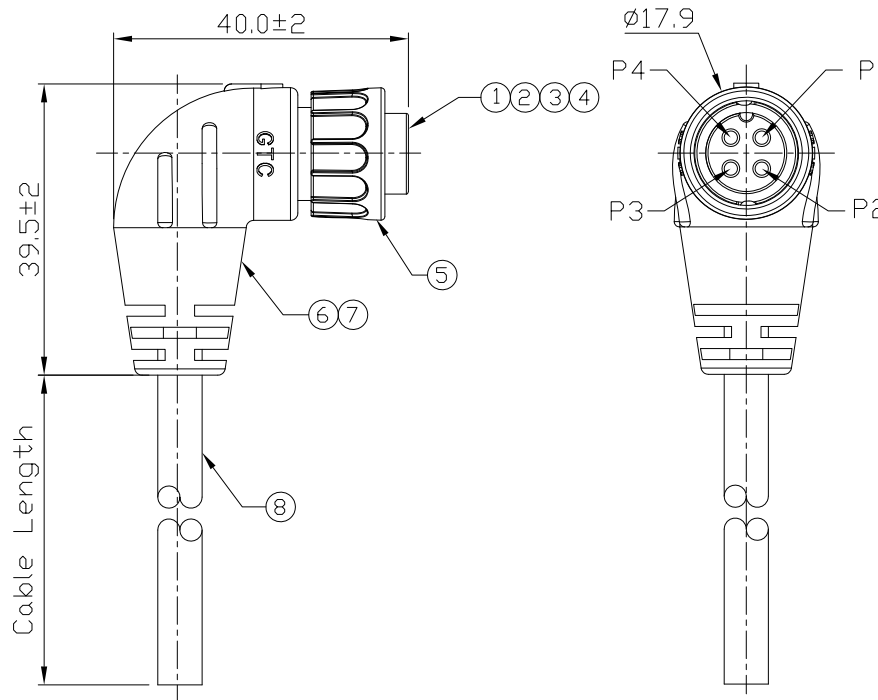
1. Waterproof Rate : IP67.
2. RoHS Compliant.

REV	ECN#	DESCRIPTION OF REVISION	DRAW BY DATE	CHECK BY DATE	APPROVE BY DATE
01			Lucas 05/31/16	Lucas 05/31/16	Ray 05/31/16

GTC  
R&D DEPT. ISSUE  
**MAY.31.2016**  
ONLY FOR  
RELEASE

1	Black
2	Brown
3	Red
4	Orange

Wiring Diagram



Part No.	Cable Length	Tol.
GT152225-23041-10	10000 mm	+500
GT152225-23041-09	9000 mm	+450
GT152225-23041-08	8000 mm	+400
GT152225-23041-07	7000 mm	+150
GT152225-23041-06	6000 mm	+150
GT152225-23041-05	5000 mm	+150
GT152225-23041-04	4000 mm	+150
GT152225-23041-03	3000 mm	+150
GT152225-23041-02	2000 mm	+100
GT152225-23041-01	1000 mm	+50
GT152225-23041-Z9	900 mm	+50
GT152225-23041-Z8	800 mm	+50
GT152225-23041-Z7	700 mm	+50
GT152225-23041-Z6	600 mm	+50
GT152225-23041-Z5	500 mm	+50
GT152225-23041-Z4	400 mm	+50
GT152225-23041-Z3	300 mm	+25

Item	Part Name	Material / Finish	Q'ty
8	Cable	UL2464 16AWG*4C, OD=7.0mm Color: Black	1
7	Over Mold	PVC Color: Black	1
6	Inner Mold	Thermoplastic Color: White or Black	1
5	Lock Nut	Thermoplastic Color: Black	1
4	Base	Thermoplastic Color: Black	1
3	O-Ring	Silicone Color: Red	1
2	Contacts	Copper Alloy Finish: Au Plated	4
1	Housing	Thermoplastic Color: Black	1

TITLE						DRAWING NUMBER			REV.	
C2 10A 4P Cable End 90° Female Lock With Cable						GT152225-23041-XX			01	
THIRD ANGLE PROJECTION	SIZE	SCALE	DRAW / DATE	CHECK / DATE	APPROVE / DATE	TOLERANCES		UNIT	SHEET	
	B	1:1	Lucas 05/31/16	Lucas 05/31/16	Ray 05/31/16	X.X ± 0.5 X.XX ± 0.2	X.XXX ± 0.05 ANGLES ± 1°	mm	1/1	

GT Contact CO.,LTD

NOTICE OF PROPRIETARY PROPERTY:

THE INFORMATION CONTAINED HEREIN IS THE PROPRIETARY PROPERTY OF GT Contact CO.,LTD THE POSSESSOR AGREES TO THE FOLLOWING:

(a) TO MAINTAIN THIS DOCUMENT IN CONFIDENCE  
(b) NOT TO REPRODUCE OR COPY IT  
(c) NOT TO REVEAL OR PUBLISH IT IN WHOLE OR PART  
(d) ALL RIGHTS RESERVED

1

2

3

4