

1

2

3

4

Notes: (Unless Otherwise Specified)

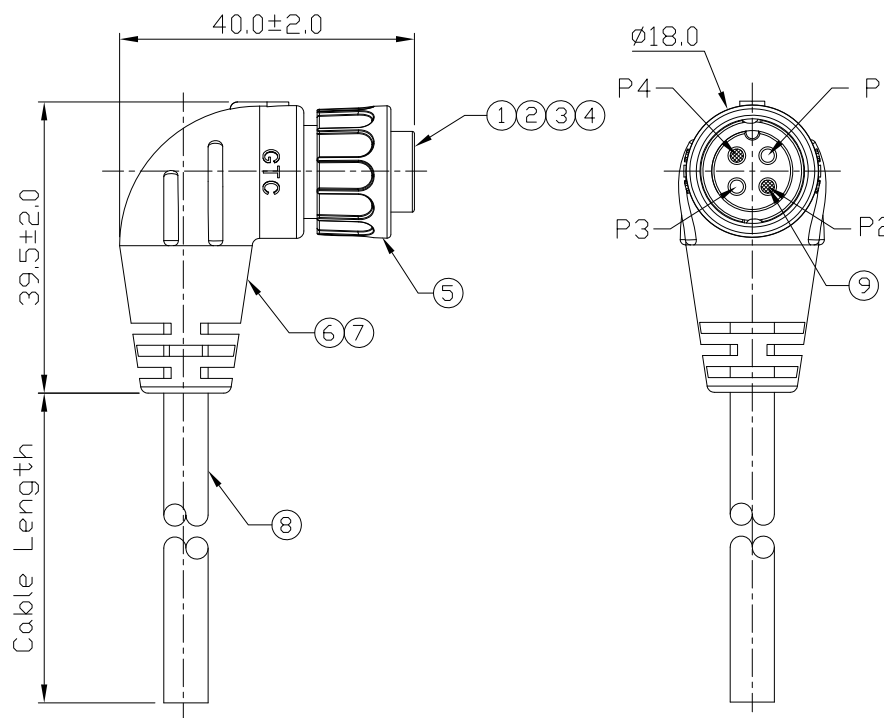
1. Waterproof Rate : IP67.
2. RoHS & REACH Compliant.

REV	ECN#	DESCRIPTION OF REVISION	DRAW BY DATE	CHECK BY DATE	APPROVE BY DATE
01			Jimmy 03/01/17	Lucas 03/01/17	Ray 03/01/17

GTC  
DOC.CENTER.ISSUE  
MAR.03.2017  
ONLY FOR  
RELEASE

1	Black
2	N/C
3	Red
4	N/C

Wiring Diagram



9	Gland Pin	Thermoplastic Color: Black	2
8	Cable	UL2464 16AWG*2C+Al/My+F Color: Black, ØD=6.0mm	1
7	Over Mold	PVC Color: Black	1
6	Inner Mold	Thermoplastic Color: White or Black	1
5	Lock Nut	Thermoplastic Color: Black	1
4	4P Base	Thermoplastic Color: Black	1
3	O-Ring	Silicone Color: Red	1
2	Contacts	Copper Alloy Finish: Au Plated	2
1	Housing	Thermoplastic Color: Black	1
Item	Part Name	Material / Finish	Q'ty

GT152225-23021-10	10000 mm	+500
GT152225-23021-09	9000 mm	+450
GT152225-23021-08	8000 mm	+400
GT152225-23021-07	7000 mm	+150
GT152225-23021-06	6000 mm	+150
GT152225-23021-05	5000 mm	+150
GT152225-23021-04	4000 mm	+150
GT152225-23021-03	3000 mm	+100
GT152225-23021-02	2000 mm	+100
GT152225-23021-01	1000 mm	+50
GT152225-23021-Z9	900 mm	+50
GT152225-23021-Z8	800 mm	+50
GT152225-23021-Z7	700 mm	+50
GT152225-23021-Z6	600 mm	+50
GT152225-23021-Z5	500 mm	+50
GT152225-23021-Z4	400 mm	+50
GT152225-23021-Z3	300 mm	+25
GT152225-23021-Z2	200 mm	+25
GT152225-23021-Z1	100 mm	+25
Part No.	Cable Length	Tol.

TITLE						DRAWING NUMBER			REV.
C2 10A 2P Cable End 90° Female Lock With Cable						GT152225-23021-XX			01
	B	1:1	Jimmy 03/01/17	Lucas 03/01/17	Ray 03/01/17	X.X ± 0.5 X.XX ± 0.2	X.XXX ± 0.05 ANGLES ± 1°	mm	1/1
THIRD ANGLE PROJECTION	SIZE	SCALE	DRAW / DATE	CHECK / DATE	APPROVE / DATE	TOLERANCES		UNIT	SHEET

GT Contact CO.,LTD

NOTICE OF PROPRIETARY PROPERTY:  
THE INFORMATION CONTAINED HEREIN IS THE PROPRIETARY PROPERTY OF GT Contact CO.,LTD THE POSSESSOR AGREES TO THE FOLLOWING:  
(a) TO MAINTAIN THIS DOCUMENT IN CONFIDENCE  
(b) NOT TO REPRODUCE OR COPY IT  
(c) NOT TO REVEAL OR PUBLISH IT IN WHOLE OR PART  
(d) ALL RIGHTS RESERVED

1

2

3

4