

1

2

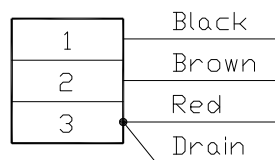
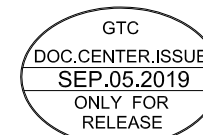
3

4

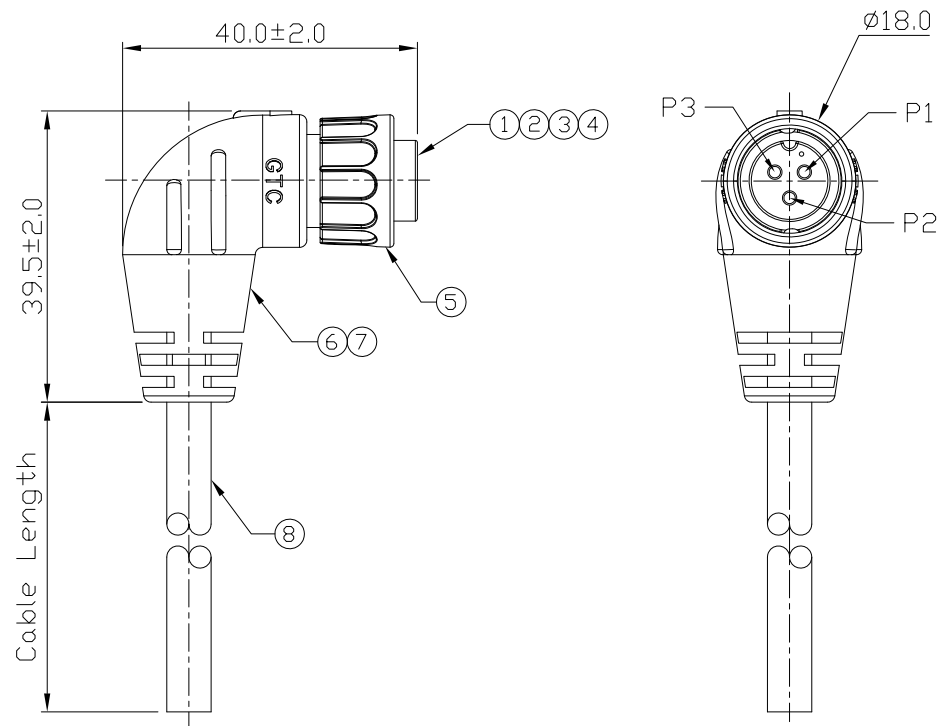
Notes: (Unless Otherwise Specified)

1. Waterproof Rate : IP67.
2. RoHS Compliant.

REV	ECN#	DESCRIPTION OF REVISION	DRAW BY DATE	CHECK BY DATE	APPROVE BY DATE
01			Lucas 09/05/19	Lucas 09/05/19	Ray 09/05/19



Wiring Diagram



GT152225-22031-10	10000 mm	+500
GT152225-22031-09	9000 mm	+450
GT152225-22031-08	8000 mm	+400
GT152225-22031-07	7000 mm	+150
GT152225-22031-06	6000 mm	+150
GT152225-22031-05	5000 mm	+150
GT152225-22031-04	4000 mm	+150
GT152225-22031-03	3000 mm	+100
GT152225-22031-02	2000 mm	+100
GT152225-22031-01	1000 mm	+50
GT152225-22031-Z9	900 mm	+50
GT152225-22031-Z8	800 mm	+50
GT152225-22031-Z7	700 mm	+50
GT152225-22031-Z6	600 mm	+50
GT152225-22031-Z5	500 mm	+50
GT152225-22031-Z4	400 mm	+50
GT152225-22031-Z3	300 mm	+25
GT152225-22031-Z2	200 mm	+25
GT152225-22031-Z1	100 mm	+25
Part No.	Cable Length	Tol.

8	Cable	UL2464 24AWG*3C+D+Al/My (UV) Color: Black, OD=4.0m	1
7	Over Mold	PVC Color: Black	1
6	Inner Mold	Thermoplastic Color: White or Black	1
5	Lock Nut	Thermoplastic Color: Black	1
4	3P Base	Thermoplastic Color: Black	1
3	O-Ring	Silicone Color: Red	1
2	Contacts	Copper Alloy Finish: Au Plated	3
1	Housing	Thermoplastic Color: Black	1
Item	Part Name	Material / Finish	Q'ty

TITLE						DRAWING NUMBER			REV.		
C2 5A 3P Cable End 90° Female Lock With Cable						GT152225-22031-XX			01		
	B	1:1	Lucas 09/05/19	Lucas 09/05/19	Ray 09/05/19	X.X X.XX	± 0.5 ± 0.2	X.XXX ANGLES	± 0.05 ± 1°	mm	1/1
THIRD ANGLE PROJECTION	SIZE	SCALE	DRAW / DATE	CHECK / DATE	APPROVE / DATE	TOLERANCES		UNIT	SHEET		

GT Contact CO.,LTD

NOTICE OF PROPRIETARY PROPERTY:
THE INFORMATION CONTAINED HEREIN IS THE PROPRIETARY PROPERTY OF GT Contact CO.,LTD THE POSSESSOR AGREES TO THE FOLLOWING:
(a) TO MAINTAIN THIS DOCUMENT IN CONFIDENCE
(b) NOT TO REPRODUCE OR COPY IT
(c) NOT TO REVEAL OR PUBLISH IT IN WHOLE OR PART
(d) ALL RIGHTS RESERVED

1

2

3

4