

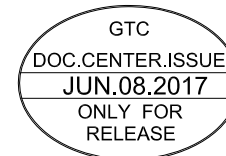
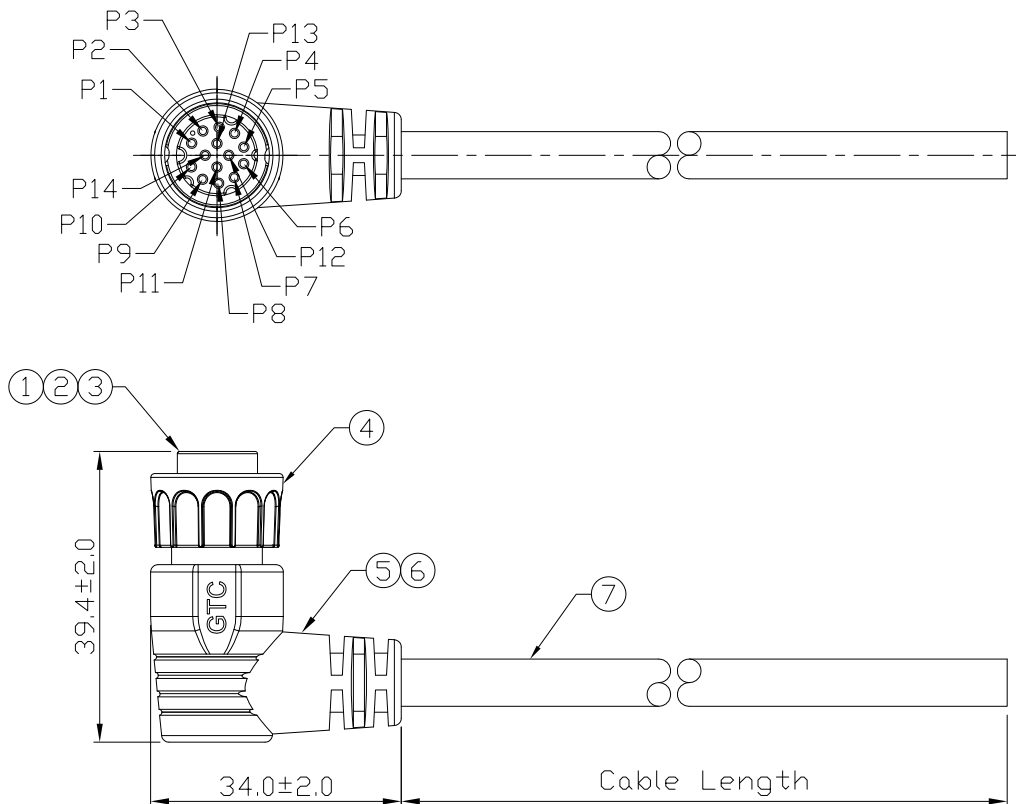
Notes: (Unless Otherwise Specified)

1. Waterproof Rate : IP67.
2. RoHS & REACH Compliant.

REV	ECN#	DESCRIPTION OF REVISION	DRAW BY DATE	CHECK BY DATE	APPROVE BY DATE
01			Viola 06/07/17	Lucas 06/07/17	Ray 06/07/17

1	Black
2	Brown
3	Red
4	Orange
5	Yellow
6	Green
7	Blue
8	Violet
9	Gray
10	White
11	Pink
12	Light Green
13	Black/White
14	Brown/White

Wiring Diagram



Item	Part Name	Material / Finish	Q'ty
7	Cable	UL2464 26AWG*14C+AL/My+D OD=6.0mm, Color:Black (Oil Resistant)	1
6	Over Mold	PVC Color: Black	1
5	Inner Mold	Thermoplastic Color: White or Black	1
4	Lock Nut	Thermoplastic Color: Black	1
3	O-Ring	Silicone Color: Red	1
2	Contacts	Copper Alloy Finish: Au Plated	14
1	Housing	Thermoplastic Color: Black	1

GT152225-21141-10	10000 mm	+500
GT152225-21141-09	9000 mm	+450
GT152225-21141-08	8000 mm	+400
GT152225-21141-07	7000 mm	+150
GT152225-21141-06	6000 mm	+150
GT152225-21141-05	5000 mm	+150
GT152225-21141-04	4000 mm	+150
GT152225-21141-03	3000 mm	+100
GT152225-21141-02	2000 mm	+100
GT152225-21141-01	1000 mm	+50
GT152225-21141-Z9	900 mm	+50
GT152225-21141-Z8	800 mm	+50
GT152225-21141-Z7	700 mm	+50
GT152225-21141-Z6	600 mm	+50
GT152225-21141-Z5	500 mm	+50
GT152225-21141-Z4	400 mm	+50
GT152225-21141-Z3	300 mm	+25
GT152225-21141-Z2	200 mm	+25
Part No.	Cable Length	Tol.

TITLE						DRAWING NUMBER			REV.	
C2 2A 14P Cable End 90° Female Lock						GT152225-21141-XX			01	
THIRD ANGLE PROJECTION	SIZE	SCALE	DRAW / DATE	CHECK / DATE	APPROVE / DATE	TOLERANCES		UNIT	SHEET	
	B	1:1	Viola 06/07/17	Lucas 06/07/17	Ray 06/07/17	X.X ± 0.5 X.XX ± 0.2	X.XXX ± 0.05 ANGLES ± 1°	mm	1/1	

GT Contact CO.,LTD

NOTICE OF PROPRIETARY PROPERTY:
THE INFORMATION CONTAINED HEREIN IS THE PROPRIETARY PROPERTY OF GT Contact CO.,LTD THE POSSESSOR AGREES TO THE FOLLOWING:
(i) TO MAINTAIN THIS DOCUMENT IN CONFIDENCE
(ii) NOT TO REPRODUCE OR COPY IT
(iii) NOT TO REVEAL OR PUBLISH IT IN WHOLE OR PART
(iv) ALL RIGHTS RESERVED