

1

2

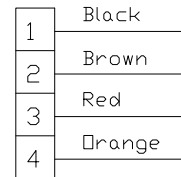
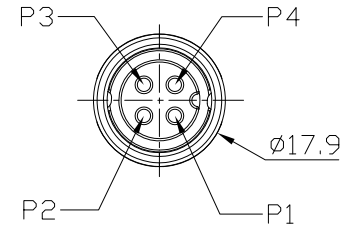
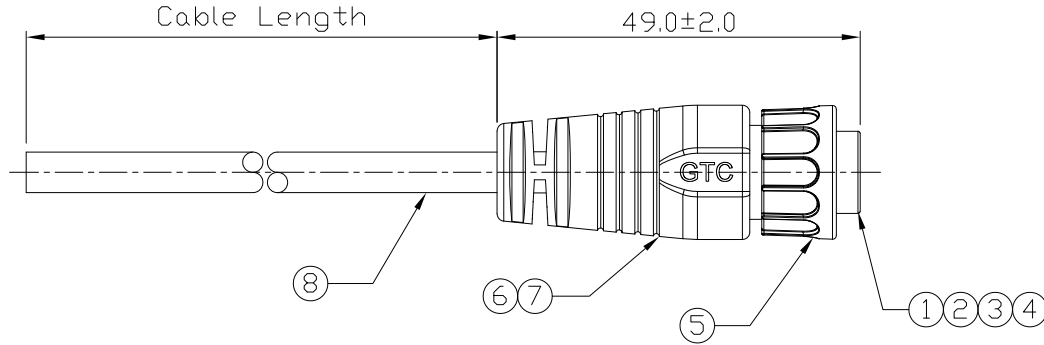
3

4

Notes: (Unless Otherwise Specified)

- 1. Waterproof Rate: IP67.
- 2. RoHS Compliance.

REV	ECN#	DESCRIPTION OF REVISION	DRAW BY DATE	CHECK BY DATE	APPROVE BY DATE
A0		Mass Production	Lucas 06/27/11	Ray 06/27/11	Ray 06/27/11
A1		Add Part No.	Lucas 07/27/11	Ray 07/27/11	Ray 07/27/11



Wiring Diagram

GT152224-23041-10	10000 mm	±500
GT152224-23041-09	9000 mm	±450
GT152224-23041-08	8000 mm	±400
GT152224-23041-07	7000 mm	±350
GT152224-23041-06	6000 mm	±300
GT152224-23041-05	5000 mm	±250
GT152224-23041-04	4000 mm	±200
GT152224-23041-03	3000 mm	±150
GT152224-23041-02	2000 mm	±100
GT152224-23041-01	1000 mm	±50
GT152224-23041-Z5	500 mm	±40
GT152224-23041-Z4	400 mm	±20
GT152224-23041-Z3	300 mm	±20
GT152224-23041-Z2	200 mm	±20
Part No.	Cable Length	Tol.

Item	Part Name	Material/Finish	Q'ty
8	Cable	UL2464 16AWG*4C, OD=7.0mm Color: Black	1
7	Over Mold	PVC Color: Black	1
6	Inner Mold	Thermal Plastic Color: White Or Black	1
5	Lock Nut	Thermal Plastic Color: Black	1
4	Base	Thermal Plastic Color: Black	1
3	O-ring	Silicone Color: Red	1
2	Contacts	Copper Alloy Finish: Au Plated	4
1	Housing	Thermal Plastic Color: Black	1



GT Contact CO.,LTD

NOTICE OF PROPRIETARY PROPERTY:
 THE INFORMATION CONTAINED HEREIN IS THE PROPRIETARY PROPERTY OF GT Contact CO.,LTD THE POSSESSOR AGREES TO THE FOLLOWING:
 (a) TO MAINTAIN THIS DOCUMENT IN CONFIDENCE
 (b) NOT TO REPRODUCE OR COPY IT
 (c) NOT TO REVEAL OR PUBLISH IT IN WHOLE OR PART
 (d) ALL RIGHTS RESERVED

TITLE						DRAWING NUMBER			REV.	
C2 10A 4P Cable End Female Lock						GT152224-23041-XX			A1	
	B	1:1	Vicky 09/02/10	Ray 09/02/10	Ray 09/02/10	X.X ± 0.5 X.XX ± 0.2	X.XXX ± 0.05 ANGLES ± 1°	mm	1/1	
THIRD ANGLE PROJECTION	SIZE	SCALE	DRAW / DATE	CHECK / DATE	APPROVE / DATE	TOLERANCES		UNIT	SHEET	

1

2

3

4