

1

2

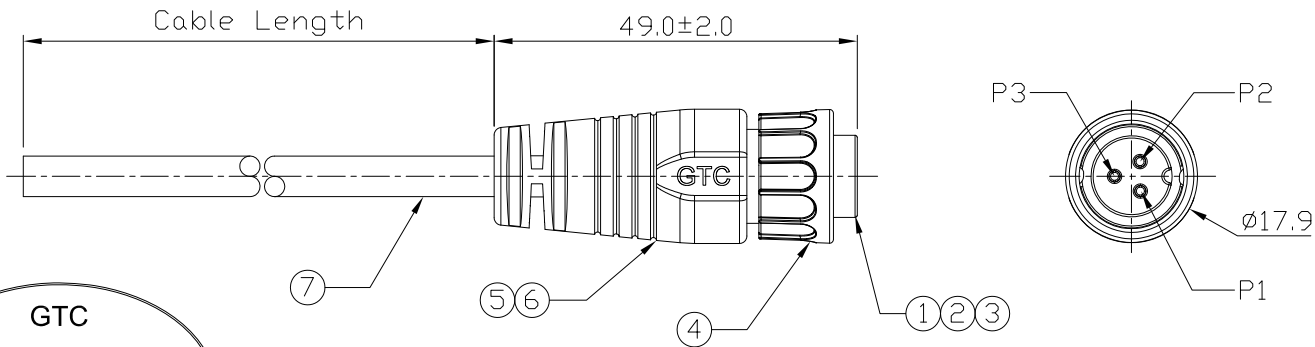
3

4

REV	ECN#	DESCRIPTION OF REVISION	DRAW BY DATE	CHECK BY DATE	APPROVE BY DATE
A0		Mass Production	Joyce 08/06/12	Lucas 08/06/12	Ray 08/06/12

Notes: (Unless Otherwise Specified)

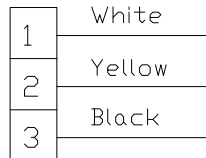
- 1. Waterproof Rate: IP67.
- 2. RoHS Compliant.



GTC
DOC.CENTER.ISSUE
AUG.07.2012
ONLY FOR
RELEASE

GT152224-03031-10	10000 mm	±500
GT152224-03031-09	9000 mm	±450
GT152224-03031-08	8000 mm	±400
GT152224-03031-07	7000 mm	±350
GT152224-03031-06	6000 mm	±300
GT152224-03031-05	5000 mm	±250
GT152224-03031-04	4000 mm	±200
GT152224-03031-03	3000 mm	±150
GT152224-03031-02	2000 mm	±100
GT152224-03031-01	1000 mm	±50
GT152224-03031-Z9	900 mm	±40
GT152224-03031-Z8	800 mm	±40
GT152224-03031-Z7	700 mm	±40
GT152224-03031-Z6	600 mm	±40
GT152224-03031-Z5	500 mm	±40
GT152224-03031-Z4	400 mm	±20
GT152224-03031-Z3	300 mm	±10
GT152224-03031-Z2	200 mm	±10
Part No.	Cable Length	Tol.

7	Cable	UL2464 16AWG*3C, OD=6.1mm Color: Black	1
6	Over Mold	PVC Color: Black	1
5	Inner Mold	Thermoplastic Color: White Or Black	1
4	Lock Nut	Thermoplastic Color: Black	1
3	O-ring	Silicone Color: Red	1
2	Contacts	Copper Alloy Finish: Au Plated	3
1	Housing	Thermoplastic Color: Black	1
Item	Part Name	Material/Finish	Q'ty



Wiring Diagram

TITLE C2 10A 3P Cable End Female Lock						DRAWING NUMBER GT152224-03031-XX			REV. A0	
THIRD ANGLE PROJECTION		SIZE B	SCALE 1:1	DRAW / DATE Joyce 08/06/12	CHECK / DATE Lucas 08/06/12	APPROVE / DATE Ray 08/06/12	TOLERANCES X.X ± 0.5 X.XXX ± 0.05 X.XX ± 0.2 ANGLES ± 1°		UNIT mm	SHEET 1/1

GT Contact CO.,LTD

NOTICE OF PROPRIETARY PROPERTY:
THE INFORMATION CONTAINED HEREIN IS THE PROPRIETARY PROPERTY OF GT Contact CO.,LTD THE POSSESSOR AGREES TO THE FOLLOWING:
(i) TO MAINTAIN THIS DOCUMENT IN CONFIDENCE
(ii) NOT TO REPRODUCE OR COPY IT
(iii) NOT TO REVEAL OR PUBLISH IT IN WHOLE OR PART
(iv) ALL RIGHTS RESERVED

1

2

3

4