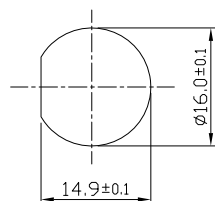


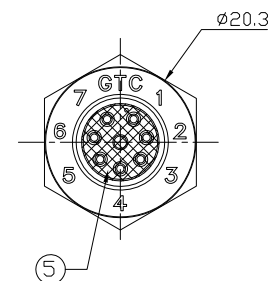
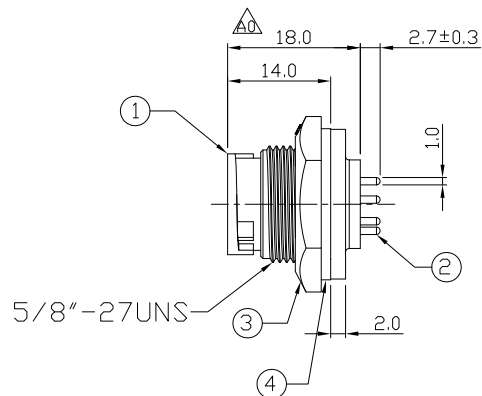
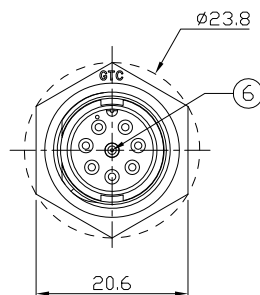
Notes: (Unless Otherwise Specified)

1. Waterproof Rate: IP67.
2. Recommend Panel Thickness: 0.8 to 4.0 mm.
3. Recommend Torque: 9.0~10.0 Kgf-cm.
4. Mating Cap P/N: GT1C5221X2.
5. RoHS Compliant.

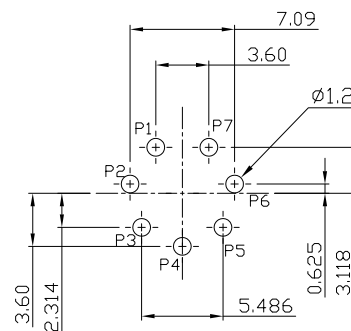
| REV | ECN# | DESCRIPTION OF REVISION | DRAW BY DATE | CHECK BY DATE | APPROVE BY DATE |
|-----|------------|-------------------------|-------------------|-------------------|-----------------|
| A0 | ECN-151016 | | Lucas 05/24/16 | Lucas 05/24/16 | Ray 05/24/16 |



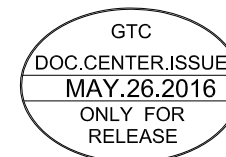
Recommend Panel Cut-Out



| | | | | |
|------|-----------|-----------------------------------|------|---|
| 6 | Gland Pin | Thermoplastic Color: Black | 1 | ⚠ |
| 5 | Glue | Epoxy Color: Black | | ⚠ |
| 4 | Gasket | Silicone Color: Black | 1 | |
| 3 | Hex Nut | Thermoplastic Color: Black | 1 | |
| 2 | Contacts | Copper Alloy Finish: Au Plated | 7 | |
| 1 | Housing | Thermoplastic Color: Black | 1 | |
| Item | Part Name | Material / Finish | Q'ty | |



Recommend PCB Layout Scale 2:1



| TITLE | | | | | | DRAWING NUMBER | | | REV. |
|------------------------------|------|-------|----------------|--------------|----------------|-----------------------------|------|-------|------|
| C2 5A 7P Panel Male Dip Lock | | | | | | GT152210-12070 | | | A0 |
| THIRD ANGLE PROJECTION | SIZE | SCALE | DRAW / DATE | CHECK / DATE | APPROVE / DATE | TOLERANCES | UNIT | SHEET | |
| DD NOT SCALE DRAWINGS | B | 1:1 | Edwin 12/29/09 | Ray 12/29/09 | Ray 12/29/09 | X.X ± 0.5 X.XX ± 0.2 | mm | 1/1 | |
| | | | | | | X.XXX ± 0.05 ANGLES ± 1° | | | |

GT Contact CO.,LTD

NOTICE OF PROPRIETARY PROPERTY:
THE INFORMATION CONTAINED HEREIN IS THE PROPRIETARY PROPERTY OF GT Contact CO.,LTD THE POSSESSOR AGREES TO THE FOLLOWING:
(i) TO MAINTAIN THIS DOCUMENT IN CONFIDENCE
(ii) NOT TO REPRODUCE OR COPY IT
(iii) NOT TO REVEAL OR PUBLISH IT IN WHOLE OR PART
(iv) ALL RIGHTS RESERVED