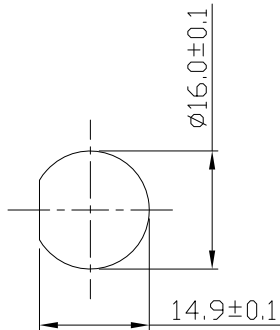
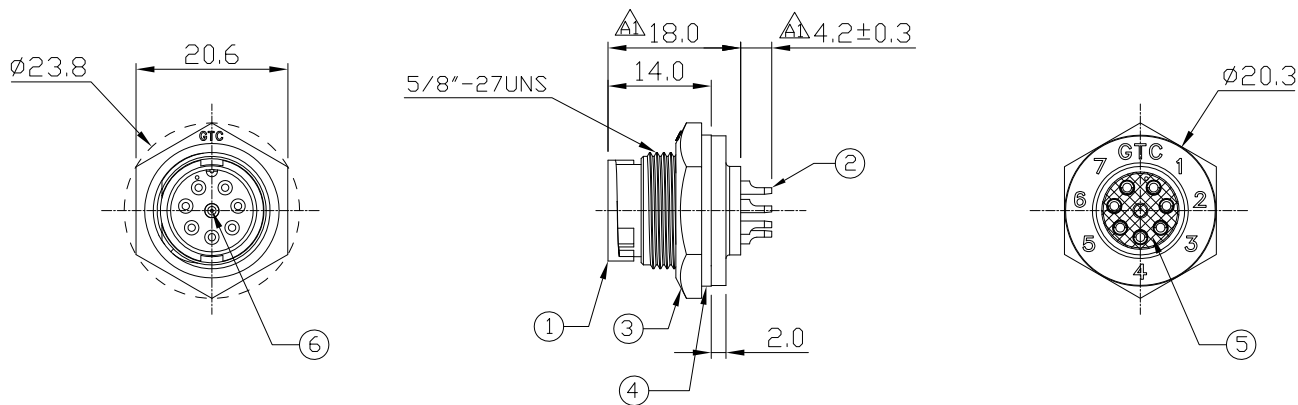


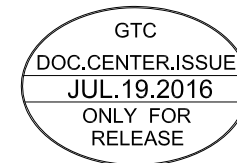
Notes: (Unless Otherwise Specified)

- 1. Waterproof Rate: IP67.
- 2. Recommend Panel Thickness: 0.8 to 4.0 mm.
- 3. Recommend Torque: 9.0~10.0 Kgf-cm.
- 4. Mating Cap P/N: GT1C5221X2.
- 5. RoHS Compliant.

REV	ECN#	DESCRIPTION OF REVISION	DRAW BY DATE	CHECK BY DATE	APPROVE BY DATE
A1	ECN-151016		Lucas 07/19/16	Lucas 07/19/16	Ray 07/19/16



Recommend Panel Cut-Out



6	Gland Pin	Thermoplastic Color: Black	1	△△
5	Glue	Epoxy Color: Black	1	△△
4	Gasket	Silicone Color: Black	1	
3	Hex Nut	Thermoplastic Color: Black	1	
2	Contacts	Copper Alloy Finish: Au Plated	7	
1	Housing	Thermoplastic Color: Black	1	
Item	Part Name	Material/Finish	Q'ty	

TITLE						DRAWING NUMBER			REV.
C2 5A 7P Panel Male Solder Lock						GT152210-02070			A1
THIRD ANGLE PROJECTION	SIZE	SCALE	DRAW / DATE	CHECK / DATE	APPROVE / DATE	TOLERANCES	UNIT	SHEET	
	B	1:1	Lucas 07/10/12	Ray 07/10/12	Ray 07/10/12	X.X ± 0.5 X.XX ± 0.2	mm	1/1	
						X.XXX ± 0.05 ANGLES ± 1°			

GT Contact CO.,LTD

NOTICE OF PROPRIETARY PROPERTY:
 THE INFORMATION CONTAINED HEREIN IS THE PROPRIETARY PROPERTY OF GT CONTACT CO.,LTD THE POSSESSOR AGREES TO THE FOLLOWING:
 (a) TO MAINTAIN THIS DOCUMENT IN CONFIDENCE
 (b) NOT TO REPRODUCE OR COPY IT
 (c) NOT TO REVEAL OR PUBLISH IT IN WHOLE OR PART
 (d) ALL RIGHTS RESERVED