

1

2

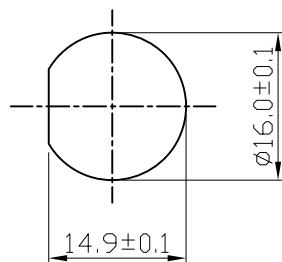
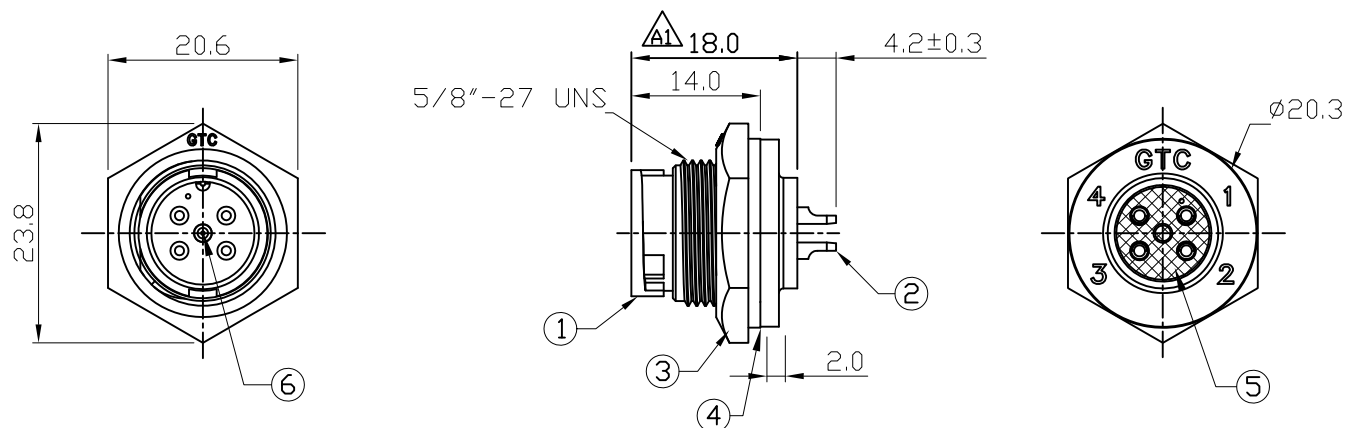
3

4

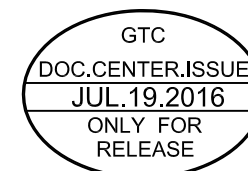
Notes: (Unless Otherwise Specified)

1. Waterproof Rate : IP67.
2. Recommend Panel Thickness: 0.8 to 4.0 mm.
3. Recommend Torque: 9~10 Kgf-cm.
4. Mating Cap P/N :GT1C522122.
5. RoHS Compliant.

REV	ECN#	DESCRIPTION OF REVISION	DRAW BY DATE	CHECK BY DATE	APPROVE BY DATE
A1	ECN-151016	Add Glue&Gland Pin	Lucas 07/18/16	Lucas 07/18/16	Ray 07/18/16



Recommend
Panel Cut-Out



6	Gland Pin	Thermoplastic Color: Black	1	$\triangle A1$
5	Glue	Epoxy Color: Black		$\triangle A1$
4	Gasket	Silicone Color: Black	1	
3	Hex Nut	Thermoplastic Color: Black	1	
2	Contacts	Copper Alloy Finish: Au Plated	4	
1	Housing	Thermoplastic Color: Black	1	
Item	Part Name	Material / Finish	Q'ty	

TITLE						DRAWING NUMBER			REV.
C2 5A 4P Panel Male Lock Solder						GT152210-02040			A1
	B	1:1	Vicky 05/18/11	Lucas 05/18/11	Ray 05/18/11	X.X ± 0.5 X.XX ± 0.2	X.XXX ± 0.05 ANGLES ± 1°	mm	1/1
THIRD ANGLE PROJECTION	SIZE	SCALE	DRAW / DATE	CHECK / DATE	APPROVE / DATE	TOLERANCES		UNIT	SHEET

GT Contact CO.,LTD

NOTICE OF PROPRIETARY PROPERTY:
THE INFORMATION CONTAINED HEREIN IS THE PROPRIETARY PROPERTY OF GT CONTACT CO.,LTD THE POSSESSOR AGREES TO THE FOLLOWING:
(a) TO MAINTAIN THIS DOCUMENT IN CONFIDENCE
(b) NOT TO REPRODUCE OR COPY IT
(c) NOT TO REVEAL OR PUBLISH IT IN WHOLE OR PART
(d) ALL RIGHTS RESERVED

1

2

3

4