

4


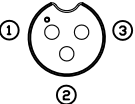
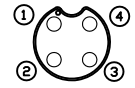
3

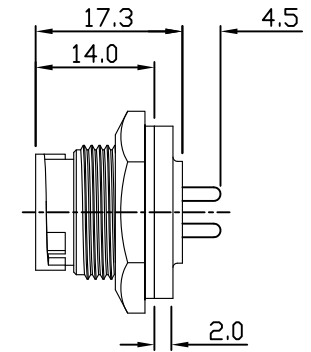
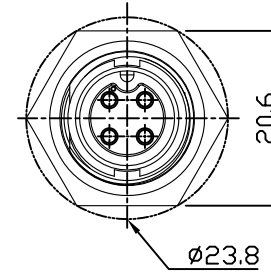
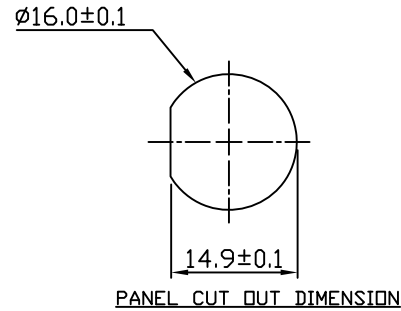
2

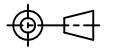
1

Notes: (Unless Otherwise Specified)

1. Ingress Protection Rating: IP67
2. Recommend Panel Thickness: 0.8 to 4.0 mm
3. Recommend Torque: 6~7 Kgf-cm
4. Mating Cap P/N :GT1C522122
5. RoHS Compliance.

Item	P/N	Pin Assignment
1	GT152200-13020	
2	GT152200-13030	
3	GT152200-13040	



METRIC		GT Contact CO.,LTD	
DRAFTER	DATE	NOTICE OF PROPRIETARY PROPERTY: THE INFORMATION CONTAINED HEREIN IS THE PROPRIETARY PROPERTY OF GT Contact CO.,LTD THE POSSESSOR AGREES TO THE FOLLOWING: (a) TO MAINTAIN THIS DOCUMENT IN CONFIDENCE (b) NOT TO REPRODUCE OR COPY IT (c) NOT TO REVEAL OR PUBLISH IT IN WHOLE OR PART (d) ALL RIGHTS RESERVED	
APPROVED	DATE		
DIMENSIONS ARE IN MILLIMETER TOLERANCES X.X ± 0.5 X.XX ± 0.20 X.XXX ± 0.05 ANGLES $\pm 2^\circ$ DO NOT SCALE DRAWINGS		TITLE C2 10A 2-4P Panel Female Dip Lock	
		DRAWING NUMBER GT152200-13XX0	REV. 01
 THIRD ANGLE PROJECTION		SIZE B	SCALE N/A
		SHT 1 OF 1	

4

3

2