

4


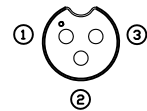
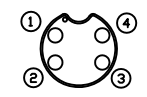
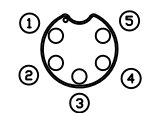
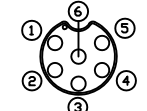
3

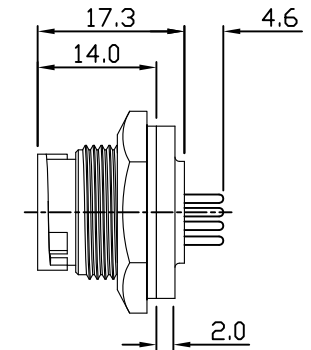
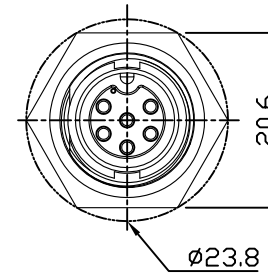
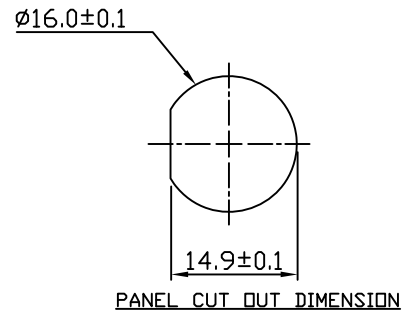
2

1

Notes: (Unless Otherwise Specified)

1. Ingress Protection Rating: IP67
2. Recommend Panel Thickness: 0.8 to 4.0 mm
3. Recommend Torque: 6~7 Kgf-cm
4. Mating Cap P/N :GT1C522122
5. RoHS Compliance.

Item	P/N	Pin Assignment
1	GT152200-12020	
2	GT152200-12030	
3	GT152200-12040	
4	GT152200-12050	
5	GT152200-12060	



METRIC

GT Contact CO.,LTD

DRAFTER

DATE

APPROVED

DATE

NOTICE OF PROPRIETARY PROPERTY:

THE INFORMATION CONTAINED HEREIN IS THE PROPRIETARY PROPERTY OF GT Contact CO.,LTD THE POSSESSOR AGREES TO THE FOLLOWING:

- Ⓒ TO MAINTAIN THIS DOCUMENT IN CONFIDENCE
- Ⓒ NOT TO REPRODUCE OR COPY IT
- Ⓒ NOT TO REVEAL OR PUBLISH IT IN WHOLE OR PART
- Ⓒ ALL RIGHTS RESERVED

DIMENSIONS ARE IN MILLIMETER  
TOLERANCES

X.X ±0.5

X.XX ±0.20

X.XXX ±0.05

ANGLES ±2°

DO NOT SCALE DRAWINGS

TITLE

C2 5A 2-6P Panel Female  
Dip Lock

DRAWING NUMBER

GT152200-12XX0

REV.

01



THIRD ANGLE PROJECTION

SIZE  
B

SCALE

N/A

SHT 1 OF 1

4

3

2

A