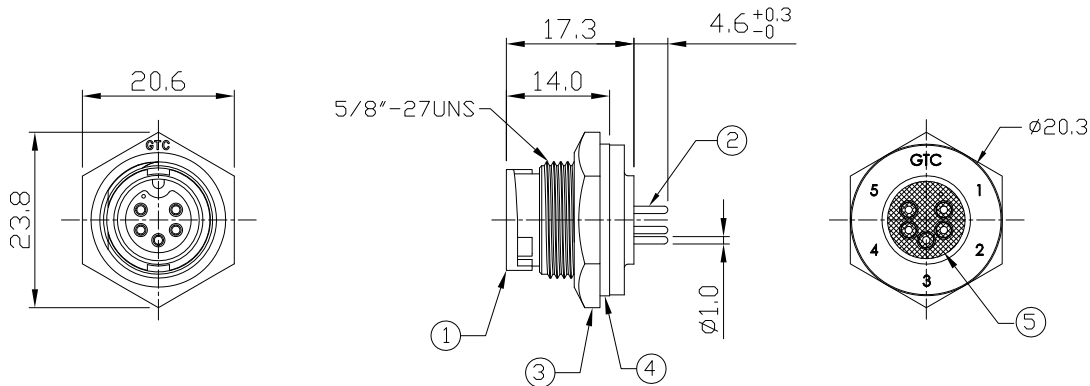


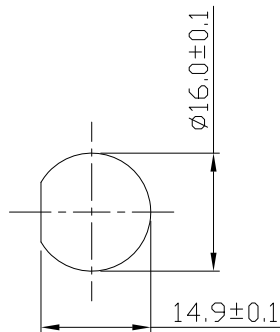
Notes: (Unless Otherwise Specified)

- 1. Waterproof Rate: IP67.
- 2. Recommend Panel Thickness: 0.8 to 4.0 mm.
- 3. Recommend Torque: 9.0~10.0 Kgf-cm.
- 4. Mating Cap P/N: GT1C5221X2.
- 5. 100% Mating Test.
- 6. RoHS Compliant.

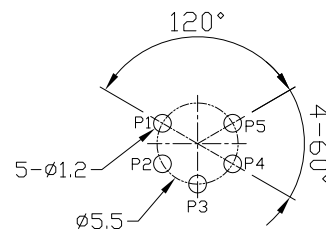
REV	ECN#	DESCRIPTION OF REVISION	DRAW BY DATE	CHECK BY DATE	APPROVE BY DATE
A0		Mass Production	Joyce 12/14/12	Lucas 12/14/12	Ray 12/14/12



GTC  
 DOC.CENTER.ISSUE  
 DEC.14.2012  
 ONLY FOR  
 RELEASE



Recommend  
Panel Cut-Out



Recommend  
PCB Layout  
Scale 2:1

Item	Part Name	Material/Finish	Q'ty
5	Glue	Epoxy Color: Black	
4	Gasket	Silicone Color: Black	1
3	Hex Nut	Thermoplastic Color: Black	1
2	Contacts	Copper Alloy Finish: Au Plated	5
1	Housing	Thermoplastic Color: Black	1

TITLE C2 5A 5P Panel Female Dip Lock						DRAWING NUMBER GT152200-12050			REV. A0
---	--	--	--	--	--	----------------------------------	--	--	------------

THIRD ANGLE PROJECTION	SIZE	SCALE	DRAW / DATE	CHECK / DATE	APPROVE / DATE	TOLERANCES	UNIT	SHEET
	B	1:1	Lucas 04/12/10	Ray 04/12/10	Ray 04/12/10	X.X ± 0.5 X.XX ± 0.2	mm	1/1

GT Contact CO.,LTD

NOTICE OF PROPRIETARY PROPERTY:

THE INFORMATION CONTAINED HEREIN IS THE PROPRIETARY PROPERTY OF GT Contact CO.,LTD THE POSSESSOR AGREES TO THE FOLLOWING:

- (i) TO MAINTAIN THIS DOCUMENT IN CONFIDENCE
- (ii) NOT TO REPRODUCE OR COPY IT
- (iii) NOT TO REVEAL OR PUBLISH IT IN WHOLE OR PART
- (iv) ALL RIGHTS RESERVED