

1

2

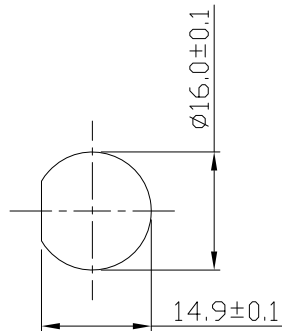
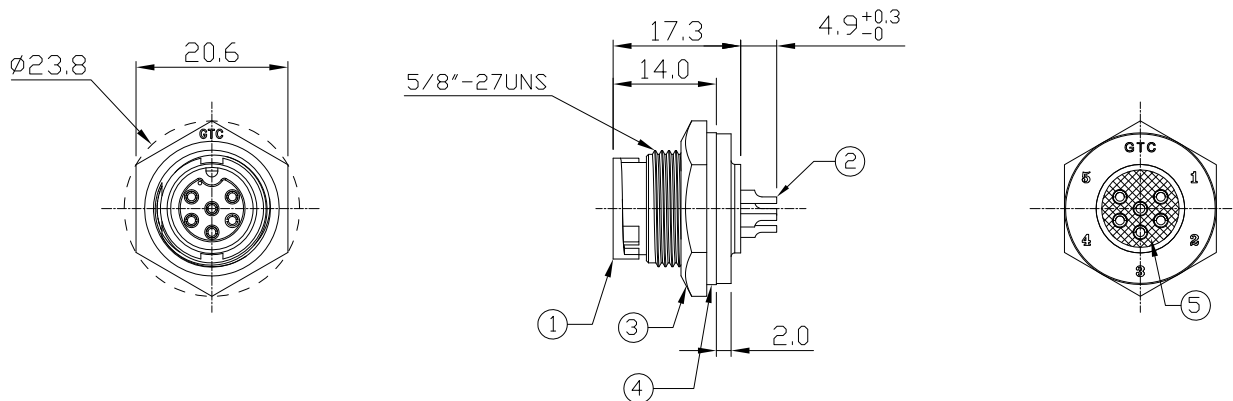
3

4

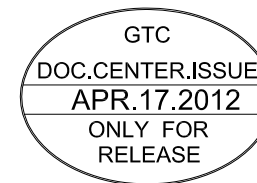
Notes: (Unless Otherwise Specified)

- 1. Waterproof Rate: IP67.
- 2. Recommend Panel Thickness: 0.8 to 4.0 mm.
- 3. Recommend Torque: 9.0~10.0 Kgf-cm.
- 4. Mating Cap P/N: GT1C5221X2.
- 5. RoHS Compliant.

| REV | ECN# | DESCRIPTION OF REVISION | DRAW BY DATE | CHECK BY DATE | APPROVE BY DATE |
|-----|------|-------------------------|-------------------|-----------------|-----------------|
| A0 | | Mass Production | Lucas 04/16/12 | Ray 04/16/12 | Ray 04/16/12 |



Recommend Panel Cut-Out



| 5 | Glue | Epoxy Color: Black | |
|------|-----------|-----------------------------------|------|
| 4 | Gasket | Silicone Color: Black | 1 |
| 3 | Hex Nut | Thermoplastic Color: Black | 1 |
| 2 | Contacts | Copper Alloy Finish: Au Plated | 6 |
| 1 | Housing | Thermoplastic Color: Black | 1 |
| Item | Part Name | Material/Finish | Q'ty |

| TITLE | | | | | | DRAWING NUMBER | | | REV. |
|-----------------------------------|------|-------|----------------|-----------------|-----------------|-------------------------|-----------------------------|------|-------|
| C2 5A 6P Panel Female Solder Lock | | | | | | GT152200-02060 | | | A0 |
| | B | 1:1 | Karen 04/16/09 | Robbie 04/16/09 | Robbie 04/16/09 | X.X ± 0.5 X.XX ± 0.2 | X.XXX ± 0.05 ANGLES ± 1° | mm | 1/1 |
| THIRD ANGLE PROJECTION | SIZE | SCALE | DRAW / DATE | CHECK / DATE | APPROVE / DATE | TOLERANCES | | UNIT | SHEET |

GT Contact CO.,LTD

NOTICE OF PROPRIETARY PROPERTY:
 THE INFORMATION CONTAINED HEREIN IS THE PROPRIETARY PROPERTY OF GT Contact CO.,LTD THE POSSESSOR AGREES TO THE FOLLOWING:
 (a) TO MAINTAIN THIS DOCUMENT IN CONFIDENCE
 (b) NOT TO REPRODUCE OR COPY IT
 (c) NOT TO REVEAL OR PUBLISH IT IN WHOLE OR PART
 (d) ALL RIGHTS RESERVED

1

2

3

4