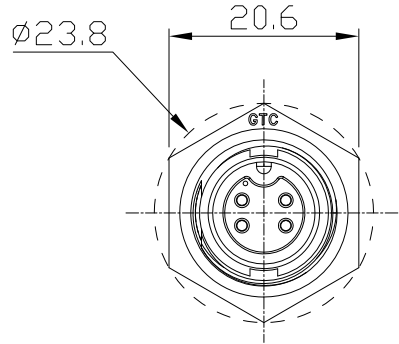
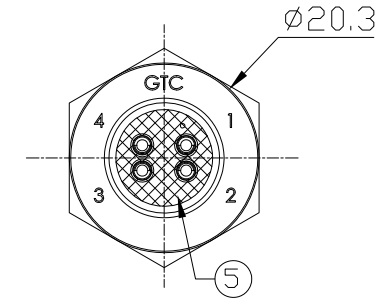
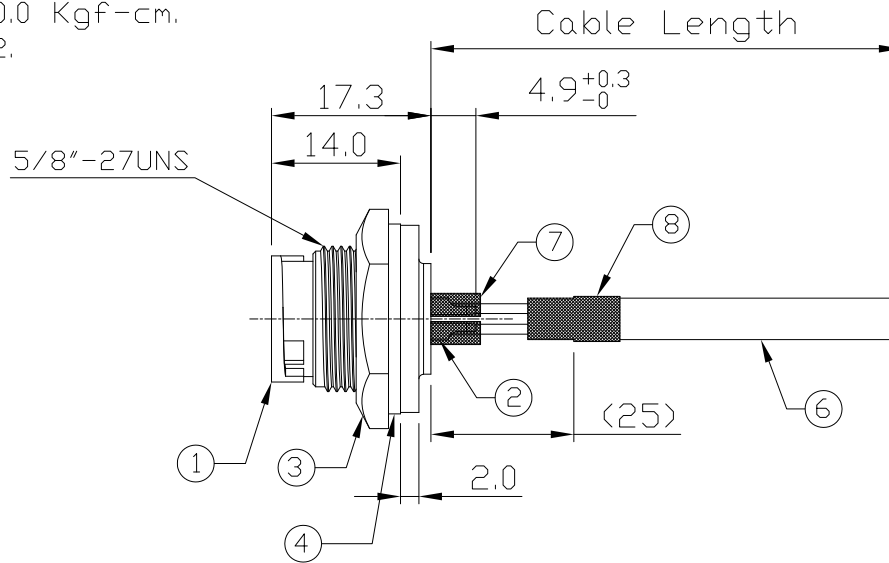


Notes: (Unless Otherwise Specified)

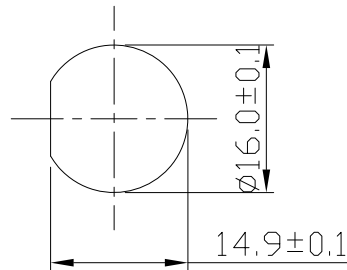
1. Waterproof Rate: IP67.
2. Recommend Panel Thickness: 0.8 to 4.0 mm.
3. Recommend Torque: 9.0~10.0 Kgf-cm.
4. Mating Cap P/N: GT1C5221X2.
5. RoHS Compliant.



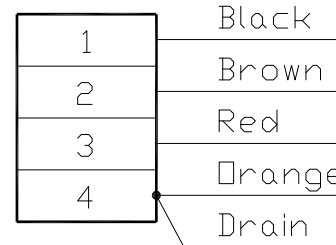
GTC
DOC.CENTER.ISSUE
FEB.17.2020
ONLY FOR
RELEASE



8	Shrink Tube	L=20mm Color: Black	1
7	Shrink Tube	L=10mm Color: Black	4
6	Cable	UL2464 24AWG*4C+Al/My+D (UV) DD=4.5mm, Color: Black	1
5	Glue	Epoxy Color: Black	
4	Gasket	Silicone Color: Black	1
3	Hex Nut	Thermoplastic Color: Black	1
2	Contacts	Copper Alloy Finish: Au Plated	4
1	Housing	Thermoplastic Color: Black	1
Item	Part Name	Material/Finish	Q'ty



Recommend
Panel Cut-Out



Wiring Diagram

GT152200-02041-10	10000 mm	+500
GT152200-02041-09	9000 mm	+450
GT152200-02041-08	8000 mm	+400
GT152200-02041-07	7000 mm	+150
GT152200-02041-06	6000 mm	+150
GT152200-02041-05	5000 mm	+150
GT152200-02041-04	4000 mm	+150
GT152200-02041-03	3000 mm	+100
GT152200-02041-02	2000 mm	+100
GT152200-02041-01	1000 mm	+50
GT152200-02041-29	900 mm	+50
GT152200-02041-28	800 mm	+50
GT152200-02041-27	700 mm	+50
GT152200-02041-26	600 mm	+50
GT152200-02041-25	500 mm	+50
GT152200-02041-24	400 mm	+50
GT152200-02041-23	300 mm	+25
GT152200-02041-22	200 mm	+25
Part No.	Cable Length	Tol.

REV	ECN#	DESCRIPTION OF REVISION	DRAW BY DATE	CHECK BY DATE	APPROVE BY DATE
01			Whitney 02/14/20	Lucas 02/14/20	Ray 02/14/20

TITLE C2 5A 4P Panel Female Solder Lock With Cable						DRAWING NUMBER GT152200-02041-XX			REV. 01	
THIRD ANGLE PROJECTION	SIZE B	SCALE 1:1	DRAW / DATE Whitney 02/14/20	CHECK / DATE Lucas 02/14/20	APPROVE / DATE Ray 02/14/20	TOLERANCES X.X ± 0.5 X.XX ± 0.2	ANGLES X.XXX ± 0.05 ± 1°	UNIT mm	SHEET 1/1	

GT Contact CO.,LTD

NOTICE OF PROPRIETARY PROPERTY:
THE INFORMATION CONTAINED HEREIN IS THE PROPRIETARY PROPERTY OF GT Contact CO.,LTD THE POSSESSOR AGREES TO THE FOLLOWING:
(a) TO MAINTAIN THIS DOCUMENT IN CONFIDENCE
(b) NOT TO REPRODUCE OR COPY IT
(c) NOT TO REVEAL OR PUBLISH IT IN WHOLE OR PART
(d) ALL RIGHTS RESERVED