

1

2

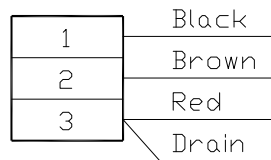
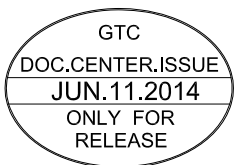
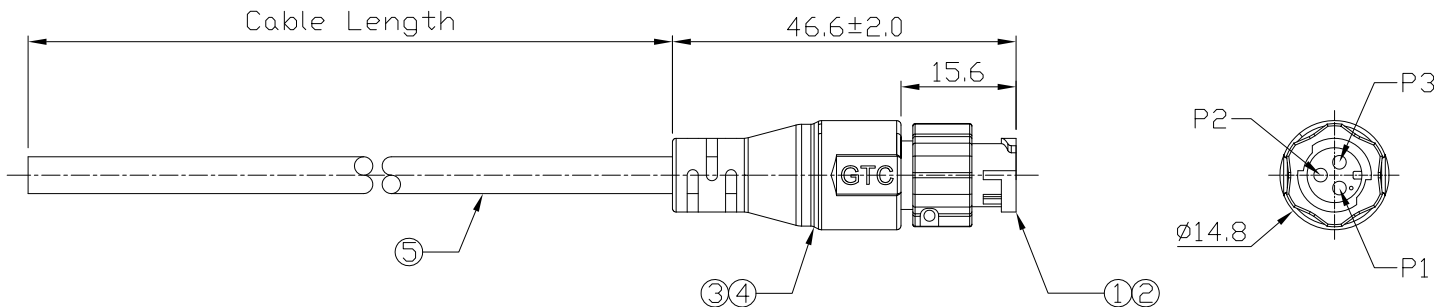
3

4

REV	ECN#	DESCRIPTION OF REVISION	DRAW BY DATE	CHECK BY DATE	APPROVE BY DATE
A0		Mass Production	Lucas 10/08/10	Ray 10/08/10	Ray 10/08/10

Notes: (Unless Otherwise Specified)

- 1. Waterproof Rate: IP67.
- 2. RoHS Compliant.



Wiring Diagram

Item	Part Name	Material/Finish	Q'ty
5	Cable	UL2464 24AWG*3C+AL/My+D Color: Black, DD=4.0mm	1
4	Over Mold	PVC Color: Black	1
3	Inner Mold	Thermoplastic Color: White Or Black	1
2	Contacts	Copper Alloy Finish: Au Plated	3
1	Housing	Thermoplastic Color: Black	1

GT151254-22031-10	10000 mm	±500
GT151254-22031-09	9000 mm	±450
GT151254-22031-08	8000 mm	±400
GT151254-22031-07	7000 mm	±150
GT151254-22031-06	6000 mm	±150
GT151254-22031-05	5000 mm	±150
GT151254-22031-04	4000 mm	±150
GT151254-22031-03	3000 mm	±150
GT151254-22031-02	2000 mm	±100
GT151254-22031-01	1000 mm	±50
GT151254-22031-Z9	900 mm	±40
GT151254-22031-Z8	800 mm	±40
GT151254-22031-Z7	700 mm	±40
GT151254-22031-Z6	600 mm	±40
GT151254-22031-Z5	500 mm	±40
GT151254-22031-Z4	400 mm	±20
GT151254-22031-Z3	300 mm	±20
GT151254-22031-Z2	200 mm	±20
Part No.	Cable Length	Tol.

GT Contact CO.,LTD

NOTICE OF PROPRIETARY PROPERTY:
 THE INFORMATION CONTAINED HEREIN IS THE PROPRIETARY PROPERTY OF GT CONTACT CO.,LTD THE POSSESSOR AGREES TO THE FOLLOWING:
 (a) TO MAINTAIN THIS DOCUMENT IN CONFIDENCE
 (b) NOT TO REPRODUCE OR COPY IT
 (c) NOT TO REVEAL OR PUBLISH IT IN WHOLE OR PART
 (d) ALL RIGHTS RESERVED

TITLE C1 5A 3P Cable To Cable Male Lock						DRAWING NUMBER GT151254-22031-XX			REV. A0	
THIRD ANGLE PROJECTION	SIZE B	SCALE 1:1	DRAW / DATE Lucas 10/08/10	CHECK / DATE Ray 10/08/10	APPROVE / DATE Ray 10/08/10	TOLERANCES X.X ± 0.5 X.XXX ± 0.05 X.XX ± 0.2 ANGLES ± 1°		UNIT mm	SHEET 1/1	

1

2

3

4