

1

2

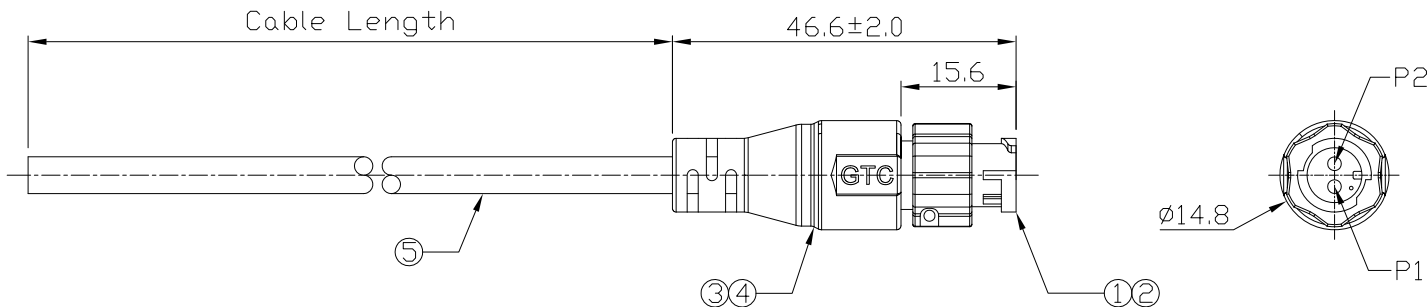
3

4

REV	ECN#	DESCRIPTION OF REVISION	DRAW BY DATE	CHECK BY DATE	APPROVE BY DATE
A0		Mass Production	Lucas 09/06/10	Ray 09/06/10	Ray 09/06/10

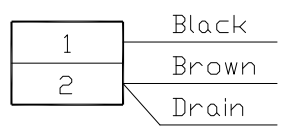
Notes: (Unless Otherwise Specified)

- 1. Waterproof Rate: IP67.
- 2. RoHS Compliant.



GTC  
DOC.CENTER.ISSUE  
JUN.11.2014  
ONLY FOR  
RELEASE

GT151254-22021-10	10000 mm	±500
GT151254-22021-09	9000 mm	±450
GT151254-22021-08	8000 mm	±400
GT151254-22021-07	7000 mm	±150
GT151254-22021-06	6000 mm	±150
GT151254-22021-05	5000 mm	±150
GT151254-22021-04	4000 mm	±150
GT151254-22021-03	3000 mm	±150
GT151254-22021-02	2000 mm	±100
GT151254-22021-01	1000 mm	±50
GT151254-22021-Z9	900 mm	±40
GT151254-22021-Z8	800 mm	±40
GT151254-22021-Z7	700 mm	±40
GT151254-22021-Z6	600 mm	±40
GT151254-22021-Z5	500 mm	±40
GT151254-22021-Z4	400 mm	±20
GT151254-22021-Z3	300 mm	±20
GT151254-22021-Z2	200 mm	±20
Part No.	Cable Length	Tol.



Wiring Diagram

5	Cable	UL2464 24AWG*2C+AL/My+D Color: Black, DD=4.0mm	1
4	Over Mold	PVC Color: Black	1
3	Inner Mold	Thermoplastic Color: White Or Black	1
2	Contacts	Copper Alloy Finish: Au Plated	2
1	Housing	Thermoplastic Color: Black	1
Item	Part Name	Material/Finish	Q'ty

TITLE C1 5A 2P Cable To Cable Male Lock						DRAWING NUMBER GT151254-22021-XX			REV. A0	
	B	1:1	Lucas 09/06/10	Ray 09/06/10	Ray 09/06/10	X.X ± 0.5 X.XX ± 0.2	X.XXX ± 0.05 ANGLES ± 1°	mm	1/1	
THIRD ANGLE PROJECTION	SIZE	SCALE	DRAW / DATE	CHECK / DATE	APPROVE / DATE	TOLERANCES		UNIT	SHEET	

GT Contact CO.,LTD

NOTICE OF PROPRIETARY PROPERTY:  
THE INFORMATION CONTAINED HEREIN IS THE PROPRIETARY PROPERTY OF GT Contact CO.,LTD THE POSSESSOR AGREES TO THE FOLLOWING:  
(i) TO MAINTAIN THIS DOCUMENT IN CONFIDENCE  
(ii) NOT TO REPRODUCE OR COPY IT  
(iii) NOT TO REVEAL OR PUBLISH IT IN WHOLE OR PART  
(iv) ALL RIGHTS RESERVED

1

2

3

4