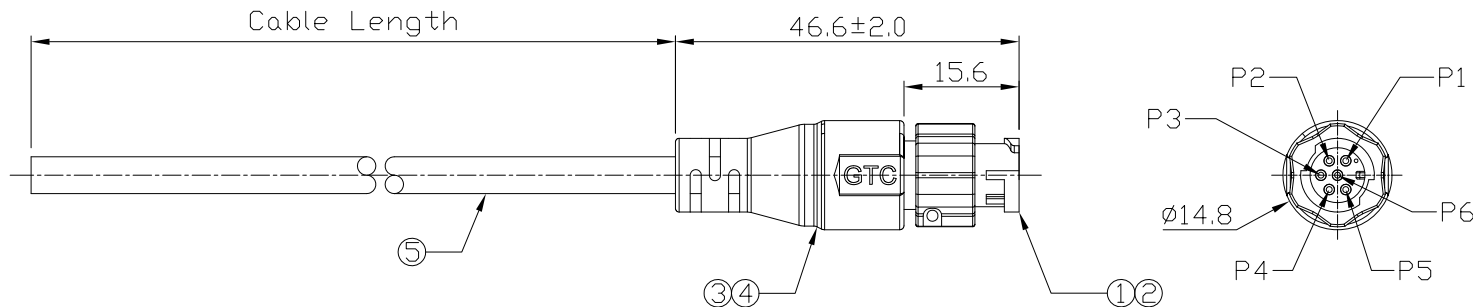


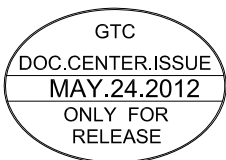
REV	ECN#	DESCRIPTION OF REVISION	DRAW BY DATE	CHECK BY DATE	APPROVE BY DATE
A1		Added GT151254-21061-Z2,Z3,Z4,Z6,Z7,Z8,Z9	Joyce 05/24/12	Lucas 05/24/12	Ray 05/24/12

Notes: (Unless Otherwise Specified)

1. Waterproof Rate: IP67.
2. RoHS Compliant.



GT151254-21061-10	10000 mm	±500
GT151254-21061-09	9000 mm	±450
GT151254-21061-08	8000 mm	±400
GT151254-21061-07	7000 mm	±150
GT151254-21061-06	6000 mm	±150
GT151254-21061-05	5000 mm	±150
GT151254-21061-04	4000 mm	±150
GT151254-21061-03	3000 mm	±150
GT151254-21061-02	2000 mm	±100
GT151254-21061-01	1000 mm	±50
GT151254-21061-Z9	900 mm	±40
GT151254-21061-Z8	800 mm	±40
GT151254-21061-Z7	700 mm	±40
GT151254-21061-Z6	600 mm	±40
GT151254-21061-Z5	500 mm	±40
GT151254-21061-Z4	400 mm	±20
GT151254-21061-Z3	300 mm	±20
GT151254-21061-Z2	200 mm	±20
Part No.	Cable Length	Tol.



1	Black
2	Brown
3	Red
4	Orange
5	Yellow
6	Green
	Drain

Wiring Diagram

Item	Part Name	Material/Finish	Q'ty
5	Cable	UL2464 26AWG*6C+AL/MY+D, OD=5.0mm Color: Black	1
4	Over Mold	PVC Color: Black	1
3	Inner Mold	Thermoplastic Color: White Or Black	1
2	Contacts	Copper Alloy Finish: Au Plated	6
1	Housing	Thermoplastic Color: Black	1

TITLE						DRAWING NUMBER			REV.
C1 2A 6P Cable To Cable Male Lock						GT151254-21061-XX			A1
	B	1:1	Lucas 10/08/10	Ray 10/08/10	Ray 10/08/10	X.X ± 0.5 X.XX ± 0.2	X.XXX ± 0.05 ANGLES ± 1°	mm	1/1
THIRD ANGLE PROJECTION	SIZE	SCALE	DRAW / DATE	CHECK / DATE	APPROVE / DATE	TOLERANCES		UNIT	SHEET

GT Contact CO.,LTD		
NOTICE OF PROPRIETARY PROPERTY:		
THE INFORMATION CONTAINED HEREIN IS THE PROPRIETARY PROPERTY OF GT Contact CO.,LTD THE POSSESSOR AGREES TO THE FOLLOWING:		
(a) TO MAINTAIN THIS DOCUMENT IN CONFIDENCE		
(b) NOT TO REPRODUCE OR COPY IT		
(c) NOT TO REVEAL OR PUBLISH IT IN WHOLE OR PART		
(d) ALL RIGHTS RESERVED		