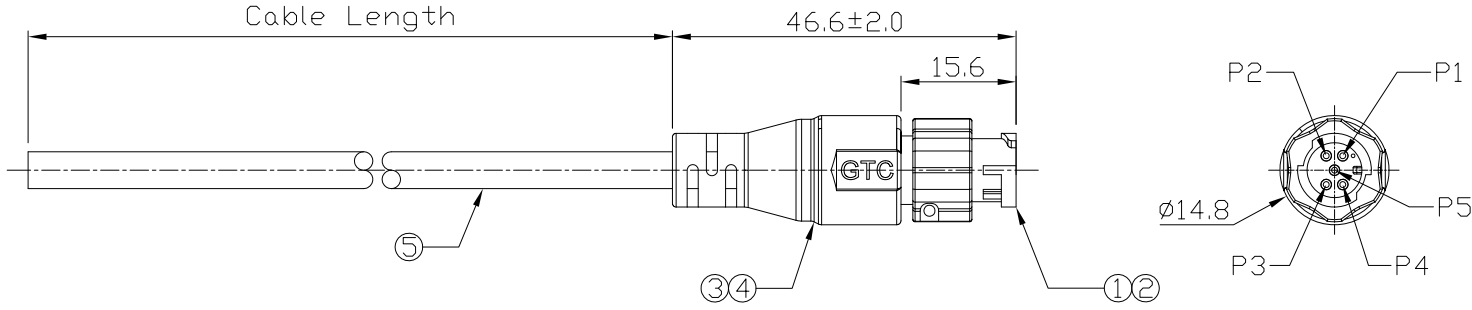


REV	ECN#	DESCRIPTION OF REVISION	DRAW BY DATE	CHECK BY DATE	APPROVE BY DATE
A0		Mass Production	Vicky 12/15/10	Ray 12/15/10	Ray 12/15/10

Notes: (Unless Otherwise Specified)

1. Waterproof Rate: IP67.
2. RoHS Compliant.



GT151254-21051-10	10000 mm	±500
GT151254-21051-09	9000 mm	±450
GT151254-21051-08	8000 mm	±400
GT151254-21051-07	7000 mm	±150
GT151254-21051-06	6000 mm	±150
GT151254-21051-05	5000 mm	±150
GT151254-21051-04	4000 mm	±150
GT151254-21051-03	3000 mm	±150
GT151254-21051-02	2000 mm	±100
GT151254-21051-01	1000 mm	±50
GT151254-21051-29	900 mm	±40
GT151254-21051-28	800 mm	±40
GT151254-21051-27	700 mm	±40
GT151254-21051-26	600 mm	±40
GT151254-21051-25	500 mm	±40
GT151254-21051-24	400 mm	±20
GT151254-21051-23	300 mm	±20
GT151254-21051-22	200 mm	±20
Part No.	Cable Length	Tol.

GTC
DOC.CENTER.ISSUE
DEC.19.2010
ONLY FOR
RELEASE

- | | |
|---|--------|
| 1 | Yellow |
| 2 | Orange |
| 3 | Red |
| 4 | Brown |
| 5 | Black |
| | Drain |

Wiring Diagram

Item	Part Name	Material/Finish	Q'ty
5	Cable	UL2464 26AWG*5C+AL/MY+D, DD=5.0mm Color: Black	1
4	Over Mold	PVC Color: Black	1
3	Inner Mold	Thermoplastic Color: White Or Black	1
2	Contacts	Copper Alloy Finish: Au Plated	5
1	Housing	Thermoplastic Color: Black	1

TITLE C1 2A 5P Cable To Cable Male Lock						DRAWING NUMBER GT151254-21051-XX			REV. A0		
THIRD ANGLE PROJECTION	SIZE B	SCALE 1:1	DRAW / DATE Vicky 12/15/10	CHECK / DATE Ray 12/15/10	APPROVE / DATE Ray 12/15/10	TOLERANCES X.X ± 0.5 X.XX ± 0.2		ANGLES X.XXX ± 0.05 X.XX ± 1°		UNIT mm	SHEET 1/1

GT Contact CO.,LTD

NOTICE OF PROPRIETARY PROPERTY:
THE INFORMATION CONTAINED HEREIN IS THE PROPRIETARY PROPERTY OF GT Contact CO.,LTD THE POSSESSOR AGREES TO THE FOLLOWING:
(i) TO MAINTAIN THIS DOCUMENT IN CONFIDENCE
(ii) NOT TO REPRODUCE OR COPY IT
(iii) NOT TO REVEAL OR PUBLISH IT IN WHOLE OR PART
(iv) ALL RIGHTS RESERVED