

1

2

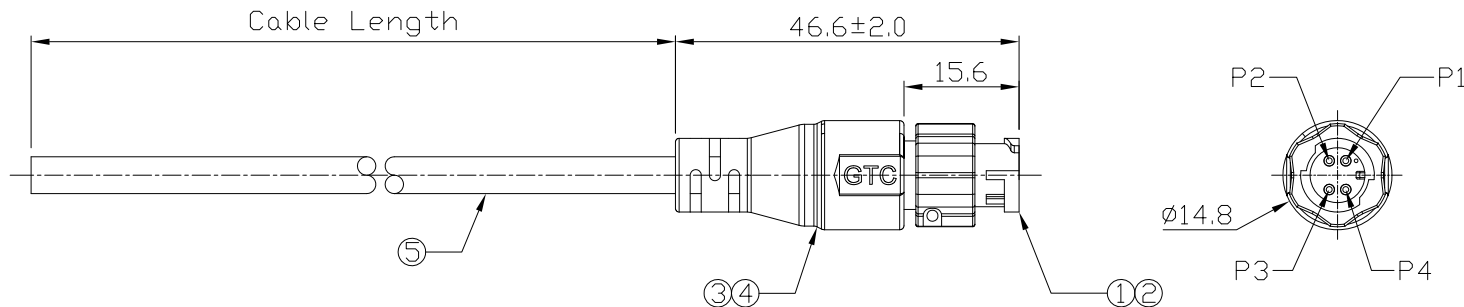
3

4

REV	ECN#	DESCRIPTION OF REVISION	DRAW BY DATE	CHECK BY DATE	APPROVE BY DATE
A0		Mass Production	Joyce 06/11/14	Lucas 06/11/14	Ray 06/11/14

Notes: (Unless Otherwise Specified)

- 1. Waterproof Rate: IP67.
- 2. RoHS Compliant.



GT151254-21041-10	10000 mm	±500
GT151254-21041-09	9000 mm	±450
GT151254-21041-08	8000 mm	±400
GT151254-21041-07	7000 mm	±150
GT151254-21041-06	6000 mm	±150
GT151254-21041-05	5000 mm	±150
GT151254-21041-04	4000 mm	±150
GT151254-21041-03	3000 mm	±150
GT151254-21041-02	2000 mm	±100
GT151254-21041-01	1000 mm	±50
GT151254-21041-29	900 mm	±40
GT151254-21041-28	800 mm	±40
GT151254-21041-27	700 mm	±40
GT151254-21041-26	600 mm	±40
GT151254-21041-25	500 mm	±40
GT151254-21041-24	400 mm	±20
GT151254-21041-23	300 mm	±20
GT151254-21041-22	200 mm	±20
Part No.	Cable Length	Tol.

GTC
DOC.CENTER.ISSUE
JUN.11.2014
ONLY FOR
RELEASE

1	Black
2	Brown
3	Red
4	Orange
	Drain

Wiring Diagram

5	Cable	UL2464 26AWG*4C+AL/My+D Color: Black, DD=4.0mm	1
4	Over Mold	PVC Color: Black	1
3	Inner Mold	Thermoplastic Color: White Or Black	1
2	Contacts	Copper Alloy Finish: Au Plated	4
1	Housing	Thermoplastic Color: Black	1
Item	Part Name	Material/Finish	Q'ty

TITLE C1 2A 4P Cable To Cable Male Lock						DRAWING NUMBER GT151254-21041-XX			REV. A0	
	B	1:1	Joyce 06/11/14	Lucas 06/11/14	Ray 06/11/14	X.X ± 0.5 X.XX ± 0.2	X.XXX ± 0.05 ANGLES ± 1°	mm	1/1	
THIRD ANGLE PROJECTION	SIZE	SCALE	DRAW / DATE	CHECK / DATE	APPROVE / DATE	TOLERANCES		UNIT	SHEET	

GT Contact CO.,LTD

NOTICE OF PROPRIETARY PROPERTY:

THE INFORMATION CONTAINED HEREIN IS THE PROPRIETARY PROPERTY OF GT Contact CO.,LTD THE POSSESSOR AGREES TO THE FOLLOWING:

(a) TO MAINTAIN THIS DOCUMENT IN CONFIDENCE
(b) NOT TO REPRODUCE OR COPY IT
(c) NOT TO REVEAL OR PUBLISH IT IN WHOLE OR PART
(d) ALL RIGHTS RESERVED

1

2

3

4