

1

2

3

4

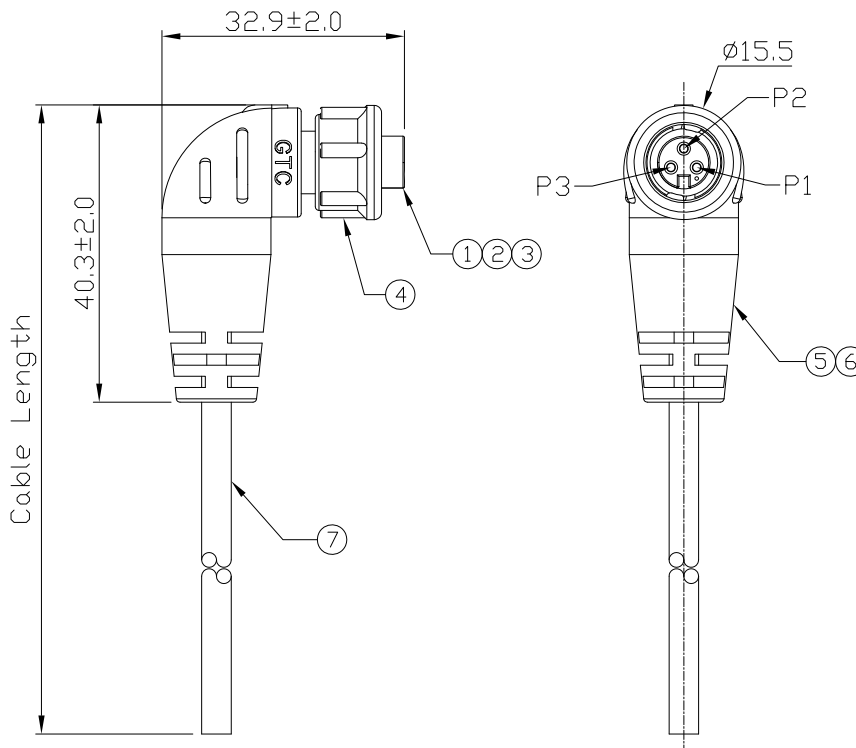
Notes: (Unless Otherwise Specified)
 1. Waterproof Rate: IP67.
 2. RoHS Compliant.

REV	ECN#	DESCRIPTION OF REVISION	DRAW BY DATE	CHECK BY DATE	APPROVE BY DATE
A0		Mass Production	Lucas 04/24/13	Ray 04/24/13	Ray 04/24/13

GTC
DOC.CENTER.ISSUE
APR.24.2013
ONLY FOR
RELEASE

1	Yellow
2	White
3	Black

Wiring Diagram



GT151229-22035-10	10000 mm	±500
GT151229-22035-09	9000 mm	±450
GT151229-22035-08	8000 mm	±400
GT151229-22035-07	7000 mm	±150
GT151229-22035-06	6000 mm	±150
GT151229-22035-05	5000 mm	±150
GT151229-22035-04	4000 mm	±150
GT151229-22035-03	3000 mm	±150
GT151229-22035-02	2000 mm	±100
GT151229-22035-01	1000 mm	±50
GT151229-22035-Z9	900 mm	±40
GT151229-22035-Z8	800 mm	±40
GT151229-22035-Z7	700 mm	±40
GT151229-22035-Z6	600 mm	±40
GT151229-22035-Z5	500 mm	±40
GT151229-22035-Z4	400 mm	±20
GT151229-22035-Z3	300 mm	±20
GT151229-22035-Z2	200 mm	±20
Part No.	Cable Length	Tol.

7	Cable	UL2464 20AWG*3C+Al/My, OD=5.0mm Color:Black	1
6	Over Mold	PVC Color: Black	1
5	Inner Mold	Thermoplastic Color: White Or Black	1
4	Lock Nut	Thermoplastic Color: Black	1
3	O-Ring	Silicone Color: Red	1
2	Contacts	Copper Alloy Finish: Au Plated	3
1	Housing	Thermoplastic Color: Black	1
Item	Part Name	Material / Finish	Q'ty

TITLE C1 5A 3P Cable End Female Lock 90° Key Down					DRAWING NUMBER GT151229-22035-XX			REV. A0	
--	--	--	--	--	-------------------------------------	--	--	------------	--

THIRD ANGLE PROJECTION	SIZE	SCALE	DRAW / DATE	CHECK / DATE	APPROVE / DATE	TOLERANCES	UNIT	SHEET
	B	1:1	Lucas 04/24/13	Ray 04/24/13	Ray 04/24/13	X.X ± 0.5 X.XX ± 0.2	X.XXX ± 0.05 ANGLES ± 1°	mm 1/1

GT Contact CO.,LTD

NOTICE OF PROPRIETARY PROPERTY:
 THE INFORMATION CONTAINED HEREIN IS THE PROPRIETARY PROPERTY OF GT Contact CO.,LTD THE POSSESSOR AGREES TO THE FOLLOWING:
 (a) TO MAINTAIN THIS DOCUMENT IN CONFIDENCE
 (b) NOT TO REPRODUCE OR COPY IT
 (c) NOT TO REVEAL OR PUBLISH IT IN WHOLE OR PART
 (d) ALL RIGHTS RESERVED

1

2

3

4