

1

2

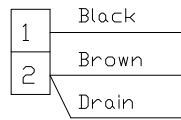
3

4

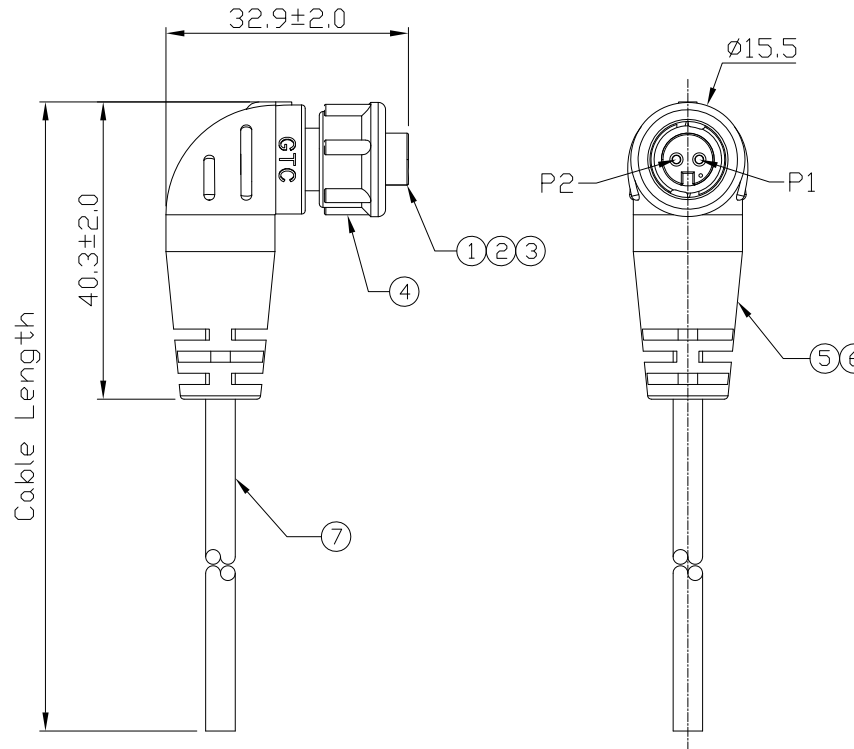
Notes: (Unless Otherwise Specified)  
 1. Waterproof Rate: IP67.  
 2. RoHS Compliant.

REV	ECN#	DESCRIPTION OF REVISION	DRAW BY DATE	CHECK BY DATE	APPROVE BY DATE
A0		Mass Production	Lucas 09/18/15	Ray 09/18/15	Ray 09/18/15

GTC  
 DOC.CENTER.ISSUE  
 SEP.18.2015  
 ONLY FOR  
 RELEASE



Wire Diagram



Part No.	Cable Length	Tol.
GT151229-22021-10	10000 mm	±500
GT151229-22021-09	9000 mm	±450
GT151229-22021-08	8000 mm	±400
GT151229-22021-07	7000 mm	±150
GT151229-22021-06	6000 mm	±150
GT151229-22021-05	5000 mm	±150
GT151229-22021-04	4000 mm	±150
GT151229-22021-03	3000 mm	±150
GT151229-22021-02	2000 mm	±100
GT151229-22021-01	1000 mm	±50
GT151229-22021-Z9	900 mm	±40
GT151229-22021-Z8	800 mm	±40
GT151229-22021-Z7	700 mm	±40
GT151229-22021-Z6	600 mm	±40
GT151229-22021-Z5	500 mm	±40
GT151229-22021-Z4	400 mm	±20
GT151229-22021-Z3	300 mm	±20
GT151229-22021-Z2	200 mm	±20

Item	Part Name	Material / Finish	Q'ty
7	Cable	UL2464 24AWG*2C+Al/My+D, DD=4.0mm Color:Black	1
6	Over Mold	PVC Color: Black	1
5	Inner Mold	Thermoplastic Color: White Or Black	1
4	Lock Nut	Thermoplastic Color: Black	1
3	O-Ring	Silicone Color: Red	1
2	Contacts	Copper Alloy Finish: Au Plated	2
1	Housing	Thermoplastic Color: Black	1

GT Contact CO.,LTD

NOTICE OF PROPRIETARY PROPERTY:  
 THE INFORMATION CONTAINED HEREIN IS THE PROPRIETARY PROPERTY OF GT Contact CO.,LTD THE POSSESSOR AGREES TO THE FOLLOWING:  
 (a) TO MAINTAIN THIS DOCUMENT IN CONFIDENCE  
 (b) NOT TO REPRODUCE OR COPY IT  
 (c) NOT TO REVEAL OR PUBLISH IT IN WHOLE OR PART  
 (d) ALL RIGHTS RESERVED

TITLE						DRAWING NUMBER			REV.	
C1 5A 2P Cable End Female Lock 90° Key Down						GT151229-22021-XX			A0	
THIRD ANGLE PROJECTION	SIZE	SCALE	DRAW / DATE	CHECK / DATE	APPROVE / DATE	X.X ± 0.5 X.XX ± 0.2	X.XXX ± 0.05 ANGLES ± 1°	mm	1/1	
						TOLERANCES			UNIT SHEET	