

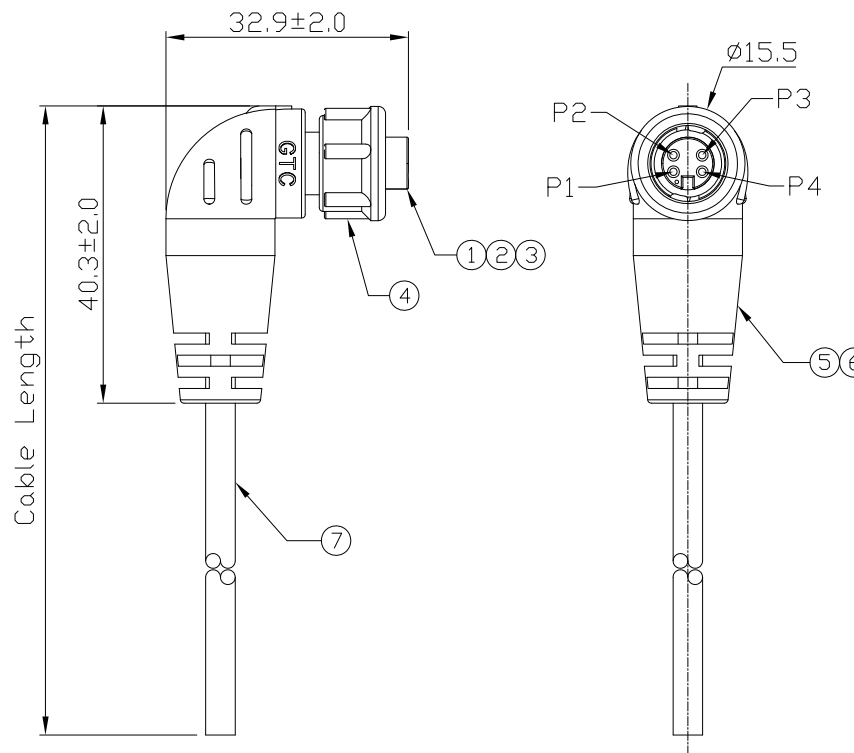
Notes: (Unless Otherwise Specified)
 1. Waterproof Rate: IP67.
 2. RoHS Compliant.

REV	ECN#	DESCRIPTION OF REVISION	DRAW BY DATE	CHECK BY DATE	APPROVE BY DATE
A0		Mass Production	Lucas 05/28/13	Ray 05/28/13	Ray 05/28/13

GTC
 DOC.CENTER.ISSUE
 MAY.28.2013
 ONLY FOR
 RELEASE

1	Black
2	Brown
3	Red
3	Orange
4	Drain

Wiring Diagram



Part No.	Cable Length	Tol.
GT151229-21041-10	10000 mm	±500
GT151229-21041-09	9000 mm	±450
GT151229-21041-08	8000 mm	±400
GT151229-21041-07	7000 mm	±150
GT151229-21041-06	6000 mm	±150
GT151229-21041-05	5000 mm	±150
GT151229-21041-04	4000 mm	±150
GT151229-21041-03	3000 mm	±150
GT151229-21041-02	2000 mm	±100
GT151229-21041-01	1000 mm	±50
GT151229-21041-Z9	900 mm	±40
GT151229-21041-Z8	800 mm	±40
GT151229-21041-Z7	700 mm	±40
GT151229-21041-Z6	600 mm	±40
GT151229-21041-Z5	500 mm	±40
GT151229-21041-Z4	400 mm	±20
GT151229-21041-Z3	300 mm	±20
GT151229-21041-Z2	200 mm	±20

Item	Part Name	Material / Finish	Q'ty
7	Cable	UL2464 26AWG*4C+Al/My+D, DD=4.0mm Color:Black	1
6	Over Mold	PVC Color: Black	1
5	Inner Mold	Thermoplastic Color: White Or Black	1
4	Lock Nut	Thermoplastic Color: Black	1
3	O-Ring	Silicone Color: Red	1
2	Contacts	Copper Alloy Finish: Au Plated	4
1	Housing	Thermoplastic Color: Black	1

TITLE: C1 2A 4P Cable End Female Lock 90° Key Down
 DRAWING NUMBER: GT151229-21041-XX
 REV.: A0

THIRD ANGLE PROJECTION	SIZE	SCALE	DRAW / DATE	CHECK / DATE	APPROVE / DATE	TOLERANCES	UNIT	SHEET
	B	1:1	Lucas 05/28/13	Ray 05/28/13	Ray 05/28/13	X.X ± 0.5 X.XX ± 0.2	mm	1/1

GT Contact CO.,LTD

NOTICE OF PROPRIETARY PROPERTY:
 THE INFORMATION CONTAINED HEREIN IS THE PROPRIETARY PROPERTY OF GT CONTACT CO.,LTD THE POSSESSOR AGREES TO THE FOLLOWING:
 (a) TO MAINTAIN THIS DOCUMENT IN CONFIDENCE
 (b) NOT TO REPRODUCE OR COPY IT
 (c) NOT TO REVEAL OR PUBLISH IT IN WHOLE OR PART
 (d) ALL RIGHTS RESERVED