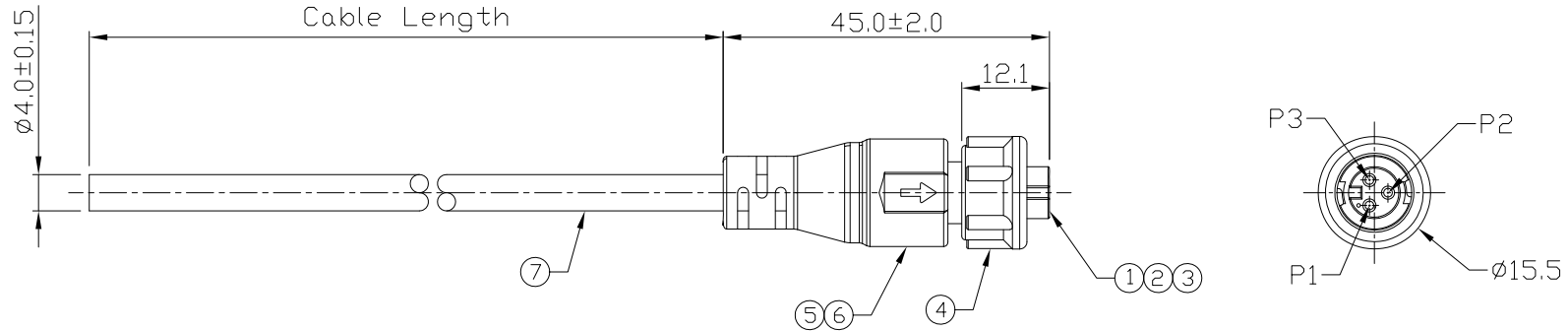


Notes: (Unless Otherwise Specified)  
 1. Waterproof Rate: IP67.  
 2. RoHS Compliant.

REV	ECN#	DESCRIPTION OF REVISION	DRAW BY DATE	CHECK BY DATE	APPROVE BY DATE
A2	ECN-130619	Add GT151224-22031-Z3	Lucas 07/01/13	Ray 07/01/13	Ray 07/01/13



GTC  
 DOC.CENTER.ISSUE  
 MAY.05.2016  
 ONLY FOR  
 RELEASE

Item	Part Name	Material / Finish	Qty
7	Cable	UL2464 24AWG*3C+Al/My+Drain OD=4.0mm, Color:Black	1
6	Over Mold	PVC Color: Black	1
5	Inner Mold	Thermoplastic Color: White Or Black	1
4	Lock Nut	Thermoplastic Color: Black	1
3	O-Ring	Silicone Color: Red	1
2	Contacts	Copper Alloy Finish: Au Plated	3
1	Housing	Thermoplastic Color: Black	1

1	Black
2	Brown
3	Red
	Drain

Wiring Diagram

GT151224-22031-10	10000 mm	±500
GT151224-22031-09	9000 mm	±450
GT151224-22031-08	8000 mm	±400
GT151224-22031-07	7000 mm	±150
GT151224-22031-06	6000 mm	±150
GT151224-22031-05	5000 mm	±150
GT151224-22031-04	4000 mm	±150
GT151224-22031-03	3000 mm	±150
GT151224-22031-02	2000 mm	±100
GT151224-22031-01	1000 mm	±50
GT151224-22031-Z5	500 mm	±40
GT151224-22031-Z4	400 mm	±40
△A2 GT151224-22031-Z3	300 mm	±20
GT151224-22031-Z2	200 mm	+25
Part No.	Cable Length	Tol.

TITLE						DRAWING NUMBER			REV.
C1 5A 3P Cable End Female Lock						GT151224-22031-XX			A2
THIRD ANGLE PROJECTION	SIZE	SCALE	DRAW / DATE	CHECK / DATE	APPROVE / DATE	X.X ± 0.5 X.XX ± 0.2	X.XXX ± 0.05 ANGLES ± 1°	mm	1/1
						TOLERANCES		UNIT	SHEET

GT Contact CO.,LTD

NOTICE OF PROPRIETARY PROPERTY:  
 THE INFORMATION CONTAINED HEREIN IS THE PROPRIETARY PROPERTY OF GT CONTACT CO.,LTD THE POSSESSOR AGREES TO THE FOLLOWING:  
 (a) TO MAINTAIN THIS DOCUMENT IN CONFIDENCE  
 (b) NOT TO REPRODUCE OR COPY IT  
 (c) NOT TO REVEAL OR PUBLISH IT IN WHOLE OR PART  
 (d) ALL RIGHTS RESERVED