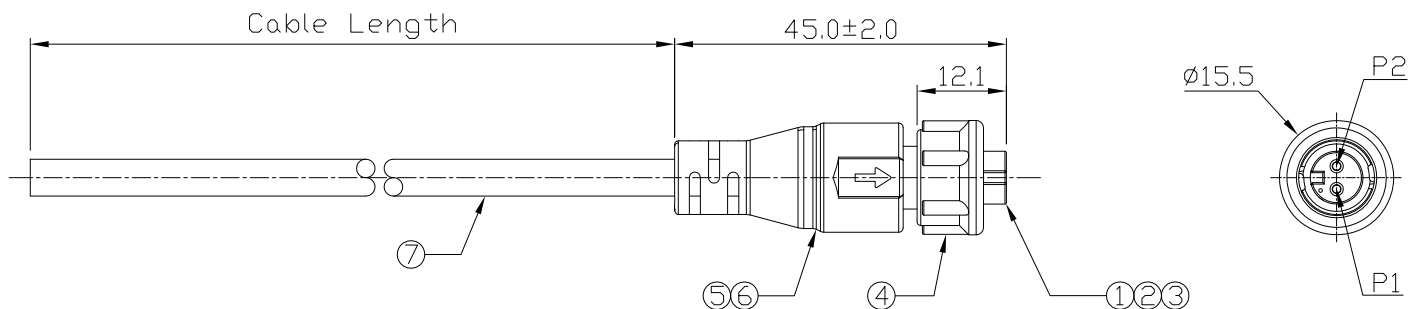


Notes: (Unless Otherwise Specified)

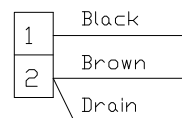
1. Waterproof Rate: IP67.
2. RoHS Compliant.

REV	ECN#	DESCRIPTION OF REVISION	DRAW BY DATE	CHECK BY DATE	APPROVE BY DATE
A1		Modify drawing	Lucas 04/27/11	Ray 04/27/11	Ray 04/27/11

GTC  
DOC.CENTER.ISSUE  
MAR.14.2022  
ONLY FOR  
RELEASE



GT151224-22021-10	10000 mm	±500
GT151224-22021-09	9000 mm	±450
GT151224-22021-08	8000 mm	±400
GT151224-22021-07	7000 mm	±150
GT151224-22021-06	6000 mm	±150
GT151224-22021-05	5000 mm	±150
GT151224-22021-04	4000 mm	±150
GT151224-22021-03	3000 mm	±150
GT151224-22021-02	2000 mm	±100
GT151224-22021-01	1000 mm	±50
GT151224-22021-Z9	900 mm	±40
GT151224-22021-Z8	800 mm	±40
GT151224-22021-Z7	700 mm	±40
GT151224-22021-Z6	600 mm	±40
GT151224-22021-Z5	500 mm	±40
GT151224-22021-Z4	400 mm	±20
GT151224-22021-Z3	300 mm	±20
GT151224-22021-Z2	200 mm	±10
Part No.	Cable Length	Tol.



Wire Diagram

7	Cable	UL2464 24AWG*2C+Al/My+Drain OD=4.0mm Color: Black	1
6	Over Mold	PVC Color: Black	1
5	Inner Mold	Thermoplastic Color: White Or Black	1
4	Lock Nut	Thermoplastic Color: Black	1
3	O-ring	Silicone Color: Red	1
2	Contacts	Copper Alloy Finish: Au Plated	2
1	Hosing	Thermoplastic Color: Black	1
Item	Part Name	Material / Finish	Q'ty

TITLE						DRAWING NUMBER			REV.
C1 5A 2P Cable End Female Lock						GT151224-22021-XX			A1
	B	1:1	Lucas 10/08/10	Ray 10/08/10	Ray 10/08/10	X.X ± 0.5 X.XX ± 0.2	X.XXX ± 0.05 ANGLES ± 1°	mm	1/1
THIRD ANGLE PROJECTION	SIZE	SCALE	DRAW / DATE	CHECK / DATE	APPROVE / DATE	TOLERANCES		UNIT	SHEET

GT Contact CO.,LTD

NOTICE OF PROPRIETARY PROPERTY:  
THE INFORMATION CONTAINED HEREIN IS THE PROPRIETARY PROPERTY OF GT Contact CO.,LTD THE POSSESSOR AGREES TO THE FOLLOWING:  
(i) TO MAINTAIN THIS DOCUMENT IN CONFIDENCE  
(ii) NOT TO REPRODUCE OR COPY IT  
(iii) NOT TO REVEAL OR PUBLISH IT IN WHOLE OR PART  
(iv) ALL RIGHTS RESERVED