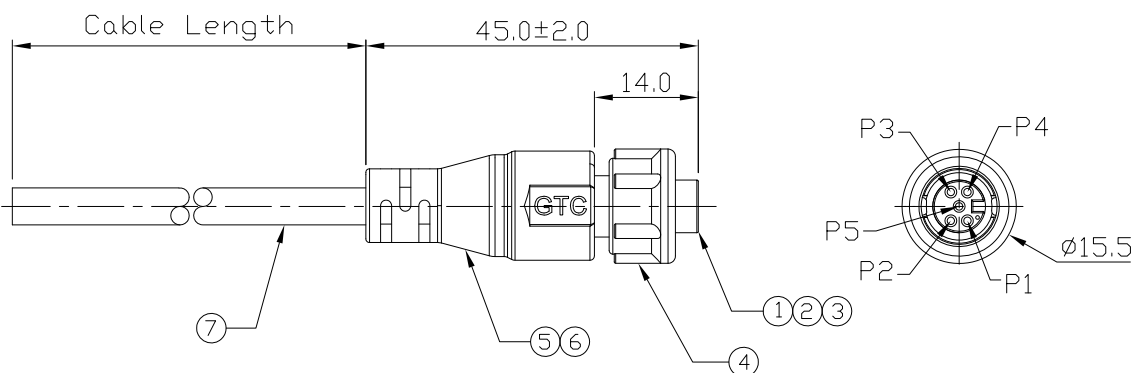


Notes: (Unless Otherwise Specified)
 1. Waterproof Rate: IP67.
 2. RoHS Compliant.

REV	ECN#	DESCRIPTION OF REVISION	DRAW BY DATE	CHECK BY DATE	APPROVE BY DATE
A0		Mass Production	Vicky 12/15/10	Ray 12/15/10	Ray 12/15/10



GTC
 DOC.CENTER.ISSUE
 DEC.19.2010
 ONLY FOR
 RELEASE

1	Yellow
2	Orange
3	Red
4	Brown
5	Black
	Drain

Wiring Diagram

GT151224-21051-10	10000 mm	±500
GT151224-21051-09	9000 mm	±450
GT151224-21051-08	8000 mm	±400
GT151224-21051-07	7000 mm	±150
GT151224-21051-06	6000 mm	±150
GT151224-21051-05	5000 mm	±150
GT151224-21051-04	4000 mm	±150
GT151224-21051-03	3000 mm	±150
GT151224-21051-02	2000 mm	±100
GT151224-21051-01	1000 mm	±50
GT151224-21051-Z9	900 mm	±40
GT151224-21051-Z5	500 mm	±40
GT151224-21051-Z3	300 mm	±20
Part No.	Cable Length	Tol.

Item	Part Name	Material / Finish	Q'ty
7	Cable	UL2464 26AWG*5C+Al/My+D ØD=4.5mm, Color:Black	1
6	Over Mold	PVC Color: Black	1
5	Inner Mold	Thermoplastic Color: White Or Black	1
4	Lock Nut	Thermoplastic Color: Black	1
3	O-Ring	Silicone Color: Red	1
2	Contacts	Copper Alloy Finish: Au Plated	5
1	Housing	Thermoplastic Color: Black	1

TITLE						DRAWING NUMBER			REV.
C1 2A 5P Cable End Female Lock						GT151224-21051-XX			A0
THIRD ANGLE PROJECTION	SIZE	SCALE	DRAW / DATE	CHECK / DATE	APPROVE / DATE	TOLERANCES	UNIT	SHEET	
	B	1:1	Vicky 12/15/10	Ray 12/15/10	Ray 12/15/10	X.X ± 0.5 X.XX ± 0.2	X.XXX ± 0.05 ANGLES ± 1°	mm 1/1	

GT Contact CO.,LTD

NOTICE OF PROPRIETARY PROPERTY:
 THE INFORMATION CONTAINED HEREIN IS THE PROPRIETARY PROPERTY OF GT Contact CO.,LTD THE POSSESSOR AGREES TO THE FOLLOWING:
 (a) TO MAINTAIN THIS DOCUMENT IN CONFIDENCE
 (b) NOT TO REPRODUCE OR COPY IT
 (c) NOT TO REVEAL OR PUBLISH IT IN WHOLE OR PART
 (d) ALL RIGHTS RESERVED