
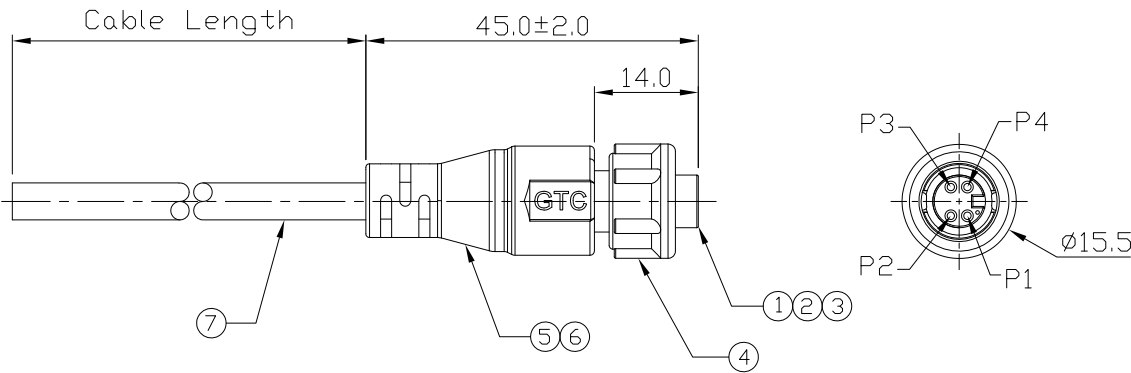


Notes: (Unless Otherwise Specified)
 1. Waterproof Rate: IP67.
 2. RoHS Compliant.

REV	ECN#	DESCRIPTION OF REVISION	DRAW BY DATE	CHECK BY DATE	APPROVE BY DATE
A0		Mass Production	Joyce 06/15/11	Lucas 06/15/11	Ray 06/15/11
A1	ECN-140910	Modify Drawing Number GT151224-21041-XX(E) → GT151224-21041-XX(F) 	Joyce 09/11/14	Lucas 09/11/14	Ray 09/11/14



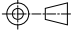
GT151224-21041-10(F)	10000 mm	±500
GT151224-21041-09(F)	9000 mm	±450
GT151224-21041-08(F)	8000 mm	±400
GT151224-21041-07(F)	7000 mm	±150
GT151224-21041-06(F)	6000 mm	±150
GT151224-21041-05(F)	5000 mm	±150
GT151224-21041-04(F)	4000 mm	±150
GT151224-21041-03(F)	3000 mm	±150
GT151224-21041-02(F)	2000 mm	±100
GT151224-21041-01(F)	1000 mm	±50
GT151224-21041-Z9(F)	900 mm	±40
GT151224-21041-Z8(F)	800 mm	±40
GT151224-21041-Z7(F)	700 mm	±40
GT151224-21041-Z6(F)	600 mm	±40
GT151224-21041-Z5(F)	500 mm	±40
GT151224-21041-Z4(F)	400 mm	±20
GT151224-21041-Z3(F)	300 mm	±20
GT151224-21041-Z2(F)	200 mm	±20
Part No.	Cable Length	Tol.

7	Cable	UL2464 26AWG*4C+Al/My+D(UV) Color: Black, OD=4.0mm	1
6	Over Mold	PVC Color: Black	1
5	Inner Mold	Thermoplastic Color: White Or Black	1
4	Lock Nut	Thermoplastic Color: Black	1
3	O-Ring	Silicone Color: Red	1
2	Contacts	Copper Alloy Finish: Gold Flash	4
1	Housing	Thermoplastic Color: Black	1
Item	Part Name	Material / Finish	Q'ty

GTC
 DOC.CENTER.ISSUE
 SEP.12.2014
 ONLY FOR
 RELEASE

1	Black
2	Brown
3	Red
4	Orange
	Drain

Wiring Diagram

TITLE						DRAWING NUMBER			REV.
C1 2A 4P Cable End Female Lock						GT151224-21041-XX(F)			A1
	B	1:1	Joyce 06/15/11	Lucas 06/15/11	Ray 06/15/11	X.X ± 0.5 X.XX ± 0.2	X.XXX ± 0.05 ANGLES ± 1°	mm	1/1
THIRD ANGLE PROJECTION	SIZE	SCALE	DRAW / DATE	CHECK / DATE	APPROVE / DATE	TOLERANCES		UNIT	SHEET

GT Contact CO.,LTD

NOTICE OF PROPRIETARY PROPERTY:
 THE INFORMATION CONTAINED HEREIN IS THE PROPRIETARY PROPERTY OF GT Contact CO.,LTD THE POSSESSOR AGREES TO THE FOLLOWING:
 (a) TO MAINTAIN THIS DOCUMENT IN CONFIDENCE
 (b) NOT TO REPRODUCE OR COPY IT
 (c) NOT TO REVEAL OR PUBLISH IT IN WHOLE OR PART
 (d) ALL RIGHTS RESERVED