

1

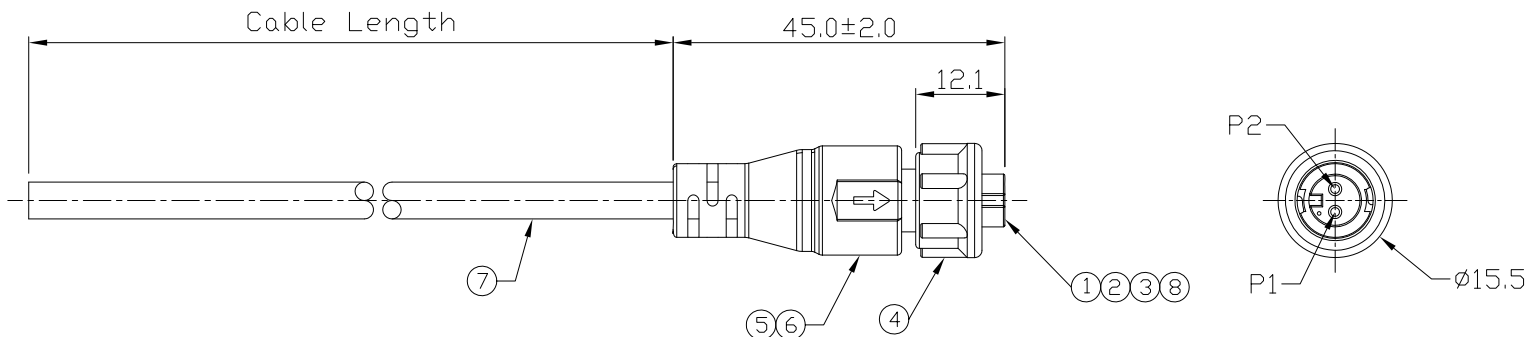
2

3

4

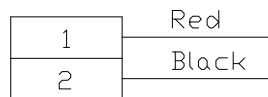
Notes: (Unless Otherwise Specified)  
 1. Waterproof Rate: IP67.  
 2. RoHS Compliant.

REV	ECN#	DESCRIPTION OF REVISION	DRAW BY DATE	CHECK BY DATE	APPROVE BY DATE
A1	ECN-130619	GT151224-22024-XX變更為 GT151224-02024-XX	Lucas 07/01/13	Ray 07/01/13	Ray 07/01/13
A2	ECN-220402	Recompile: GT151224-02024-XX → GT151224-02026-XX.	Aileen 22/04/01	Lucas 22/04/01	Ray 22/04/01



Item	Part Name	Material / Finish	Qty
8	Shrink tube	L=10mm Color:Black	2
7	Cable	UL2464 18AWG*2C+Al/My(UV) OD=6.0mm, Color:Black	1
6	Over Mold	PVC Color: Black	1
5	Inner Mold	Thermoplastic Color: White Or Black	1
4	Lock Nut	Thermoplastic Color: Black	1
3	O-Ring	Silicone Color: Red	1
2	Contacts	Copper Alloy Finish: Au Plated	2
1	Housing	Thermoplastic Color: Black	1

GTC  
 DOC.CENTER.ISSUE  
 MAY.29.2023  
 ONLY FOR  
 RELEASE



Wiring Diagram

GT151224-02026-10	10000 mm	+500
GT151224-02026-09	9000 mm	+450
GT151224-02026-08	8000 mm	+400
GT151224-02026-07	7000 mm	+150
GT151224-02026-06	6000 mm	+150
GT151224-02026-05	5000 mm	+150
GT151224-02026-04	4000 mm	+150
GT151224-02026-03	3000 mm	+100
GT151224-02026-02	2000 mm	+100
GT151224-02026-01	1000 mm	+50
GT151224-02026-Z5	500 mm	+50
GT151224-02026-Z4	400 mm	+50
GT151224-02026-Z3	300 mm	+25
GT151224-02026-Z2	200 mm	+25
Part No.	Cable Length	Tol.

TITLE						DRAWING NUMBER			REV.	
C1 5A 2P Cable End Female Lock						GT151224-02026-XX			A2	
THIRD ANGLE PROJECTION	SIZE	SCALE	DRAW / DATE	CHECK / DATE	APPROVE / DATE	TOLERANCES	UNIT	SHEET		
	B	1:1	Vicky 07/29/10	Ray 07/29/10	Ray 07/29/10	X.X ± 0.5 X.XX ± 0.2	mm	1/1		
						X.XXX ± 0.05 ANGLES ± 1°				

GT Contact CO.,LTD

NOTICE OF PROPRIETARY PROPERTY:  
 THE INFORMATION CONTAINED HEREIN IS THE PROPRIETARY PROPERTY OF GT Contact CO.,LTD THE POSSESSOR AGREES TO THE FOLLOWING:  
 (a) TO MAINTAIN THIS DOCUMENT IN CONFIDENCE  
 (b) NOT TO REPRODUCE OR COPY IT  
 (c) NOT TO REVEAL OR PUBLISH IT IN WHOLE OR PART  
 (d) ALL RIGHTS RESERVED

1

2

3

4