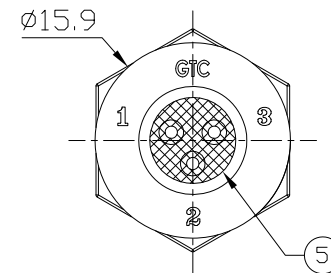
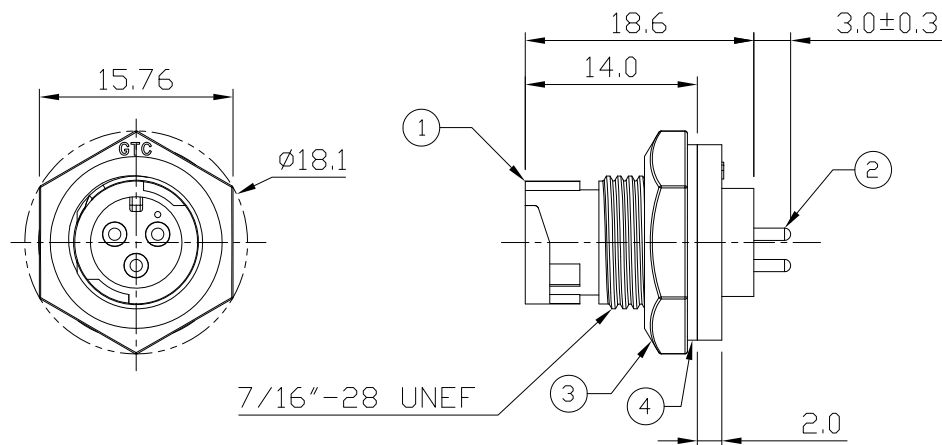


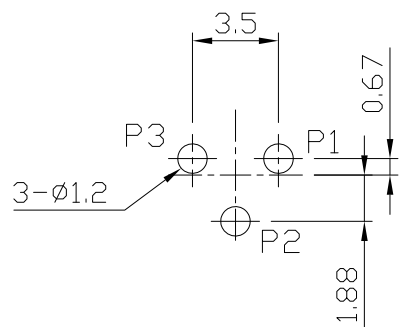
Notes: (Unless Otherwise Specified)

1. Waterproof Rate: IP67.
2. Recommend Panel Thickness: 0.8 to 3.0 mm.
3. Recommend Torque: 6~7 Kgf-cm.
4. Mating Cap P/N: GT1C5121X2.
5. RoHS Compliant.

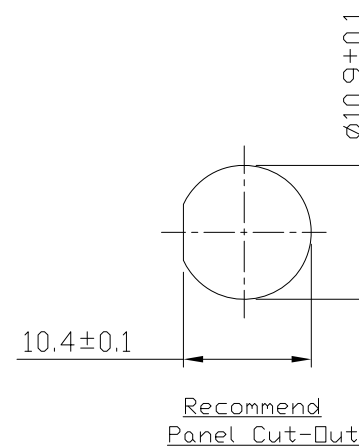
REV	ECN#	DESCRIPTION OF REVISION	DRAW BY DATE	CHECK BY DATE	APPROVE BY DATE
A0		Mass Production	Joyce 04/22/15	Lucas 04/22/15	Ray 04/22/15



GTC
DOC.CENTER.ISSUE
APR.22.2015
ONLY FOR
RELEASE



Recommend PCB Layout
(Scale 2:1)



Item	Part Name	Material / Finish	Q'ty
5	Glue	Epoxy Color: Black	
4	Gasket	Silicone Color: Black	1
3	Hex Nut	Thermoplastic Color: Black	1
2	Contacts	Copper Alloy Finish: Au Plated	3
1	Housing	Thermoplastic Color: Black	1

TITLE						DRAWING NUMBER			REV.
C1 5A 3P Panel Male Dip Lock						GT151210-12030			A0
THIRD ANGLE PROJECTION	SIZE	SCALE	DRAW / DATE	CHECK / DATE	APPROVE / DATE	TOLERANCES		UNIT	SHEET
	B	1:1	Joyce 04/22/15	Lucas 04/22/15	Ray 04/22/15	X.X ± 0.5 X.XX ± 0.2	X.XXX ± 0.05 ANGLES ± 1°	mm	1/1

GT Contact CO.,LTD

NOTICE OF PROPRIETARY PROPERTY:

THE INFORMATION CONTAINED HEREIN IS THE PROPRIETARY PROPERTY OF GT Contact CO.,LTD THE POSSESSOR AGREES TO THE FOLLOWING:

(a) TO MAINTAIN THIS DOCUMENT IN CONFIDENCE
 (b) NOT TO REPRODUCE OR COPY IT
 (c) NOT TO REVEAL OR PUBLISH IT IN WHOLE OR PART
 (d) ALL RIGHTS RESERVED