

1

2

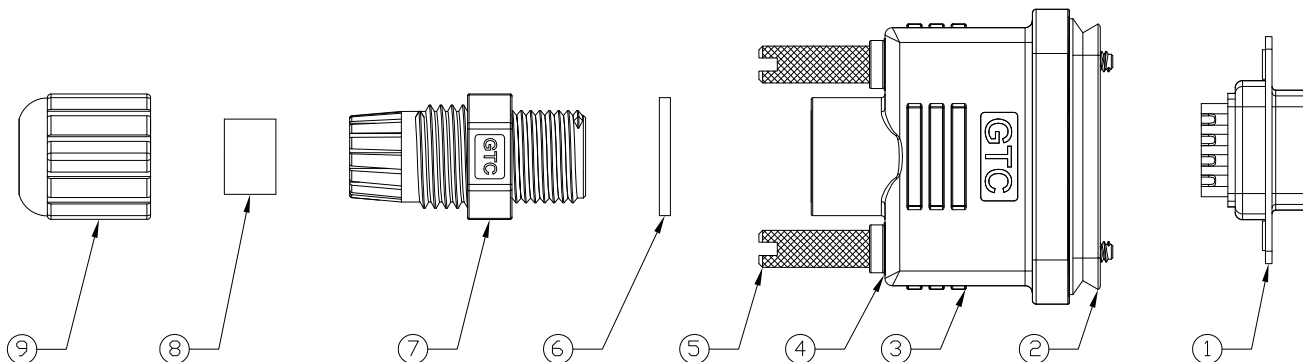
3

4

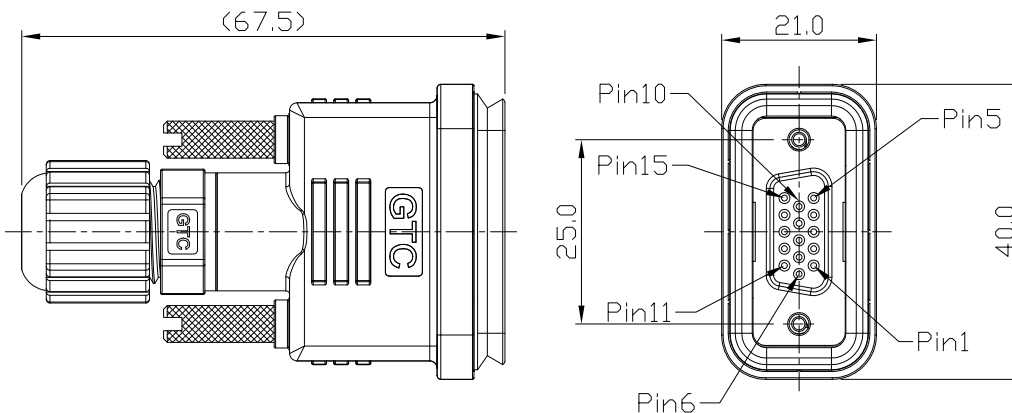
Notes: (Unless Otherwise Specified)

- 1. Waterproof Rate: IP67.
- 2. Suitable Cable \varnothing = 4.0 mm to 8.0 mm
- 3. Recommend Cover Torque: 6.0 to 7.0 Kgf-cm.
- 4. Recommend Gland Nut Torque: 9.0 to 10.0 Kgf-cm.
- 5. RoHS Compliant.

REV	ECN#	DESCRIPTION OF REVISION	DRAW BY DATE	CHECK BY DATE	APPROVE BY DATE
A0		Mass Production	Joyce 08/14/12	Lucas 08/14/12	Ray 08/14/12



9	Gland Nut	Thermoplastic Color: Black	1
8	Gland	Silicone Color: Black	1
7	Cover	Thermoplastic Color: Black	1
6	Gasket	EPDM Color: Black	1
5	Screw	Cutting Iron Finish: Ni Plated	2
4	Gasket	EPDM Color: Black	2
3	Housing	Thermoplastic Color: Black	1
2	Seal	EPDM Color: Black	1
1	D-SUB HD 15P Female	Housing: Thermoplastic, Color: Black Contacts: Copper Alloy, Finish: Au Plated Shell: SPCC, Finish: Ni Plated	1
Item	Part Name	Material / Finish	Q'ty



GTC
DOC.CENTER.ISSUE
AUG.14.2012
ONLY FOR
RELEASE

GT Contact CO.,LTD

NOTICE OF PROPRIETARY PROPERTY:
THE INFORMATION CONTAINED HEREIN IS THE PROPRIETARY PROPERTY OF GT Contact CO.,LTD THE POSSESSOR AGREES TO THE FOLLOWING:
(i) TO MAINTAIN THIS DOCUMENT IN CONFIDENCE
(ii) NOT TO REPRODUCE OR COPY IT
(iii) NOT TO REVEAL OR PUBLISH IT IN WHOLE OR PART
(iv) ALL RIGHTS RESERVED

TITLE						DRAWING NUMBER			REV.	
D-SUB HD 5A 15P Field Installable Cable End Female Solder						GT146340-02150			A0	
	B	1:1	Joyce 08/14/12	Lucas 08/14/12	Ray 08/14/12	X.X X.XX	± 0.5 ± 0.2	X.XXX ANGLES	± 0.05 $\pm 1^\circ$	mm 1/1
THIRD ANGLE PROJECTION	SIZE	SCALE	DRAW / DATE	CHECK / DATE	APPROVE / DATE	TOLERANCES		UNIT	SHEET	

1

2

3

4