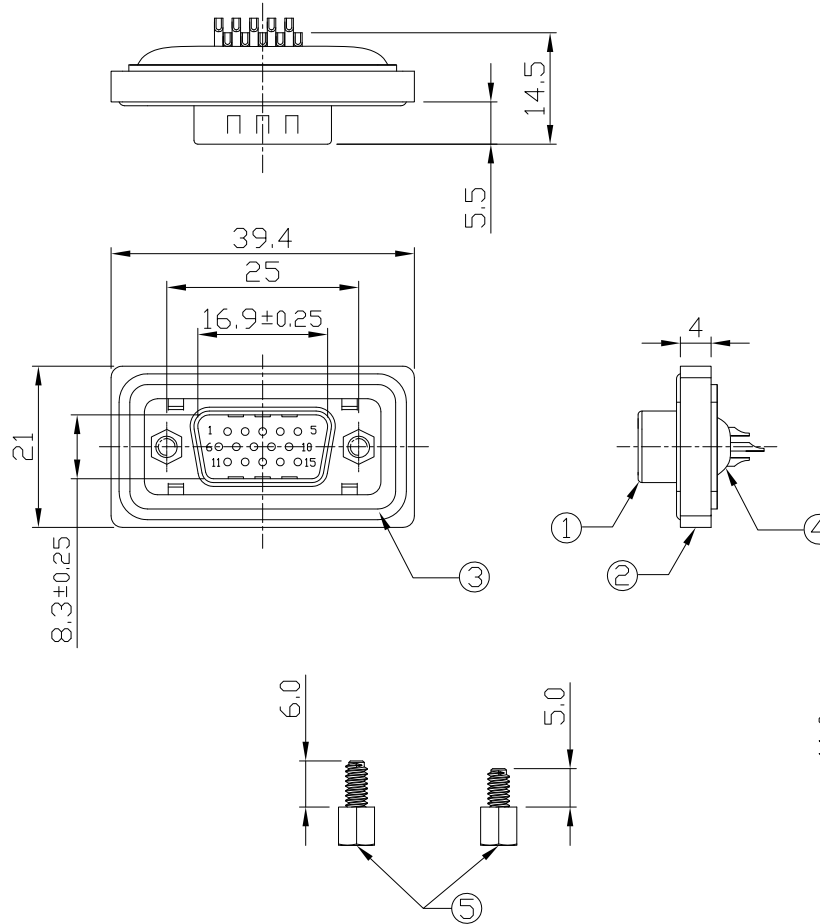
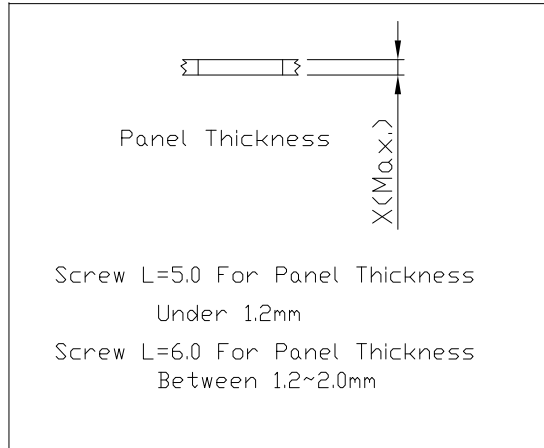


Notes: (Unless Otherwise Specified)

1. Waterproof Rate: IP68.
2. Recommend Panel Thickness: 0.8 to 2.0 mm.
3. Recommend Torque: 5~6 Kgf-cm.
4. Mating Cap P/N: GT1C4140X2.
5. RoHS & REACH Compliant.

REV	ECN#	DESCRIPTION OF REVISION	DRAW BY DATE	CHECK BY DATE	APPROVE BY DATE
A2	ECN-160921	Redraw	Joyce 10/12/16	Lucas 10/12/16	Ray 10/12/16



GTC
DOC.CENTER.ISSUE
SEP.16.2021
ONLY FOR
RELEASE

Item	Part Name	Material / Finish	Q'ty
5	Machine Screw	#4-40,Copper Alloy Finish: Ni Plated	4
4	Glue	Epoxy Color: Black	
3	O-Ring	Silicone Color: Red	1
2	Housing	Thermoplastic Color: Black	1
1	D-SUB HD 15P Male	Shell: Steel, Finish: Sn Plated Contacts: Copper Alloy, Finish: Au Plated Housing: Thermoplastic, Color: Black	1

Screws on The Separate Bag

Recommend
Panel Cut-Out

GT Contact CO.,LTD

NOTICE OF PROPRIETARY PROPERTY:
THE INFORMATION CONTAINED HEREIN IS THE PROPRIETARY PROPERTY OF GT Contact CO.,LTD THE POSSESSOR AGREES TO THE FOLLOWING:
(i) TO MAINTAIN THIS DOCUMENT IN CONFIDENCE
(ii) NOT TO REPRODUCE OR COPY IT
(iii) NOT TO REVEAL OR PUBLISH IT IN WHOLE OR PART
(iv) ALL RIGHTS RESERVED

TITLE						DRAWING NUMBER			REV.	
D-SUB HD 15P Panel Male Solder						GT146310-02150			A2	
THIRD ANGLE PROJECTION	SIZE	SCALE	DRAW / DATE	CHECK / DATE	APPROVE / DATE	TOLERANCES	UNIT	SHEET		
	B	1:1	Vicky 08/05/10	Ray 08/05/10	Ray 08/05/10	X.X ± 0.5 X.XX ± 0.2	X.XXX ± 0.05 ANGLES ± 1°	mm	1/1	