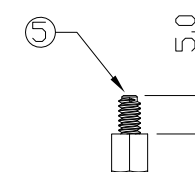
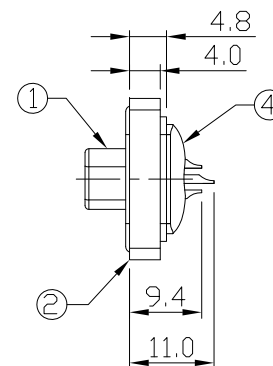
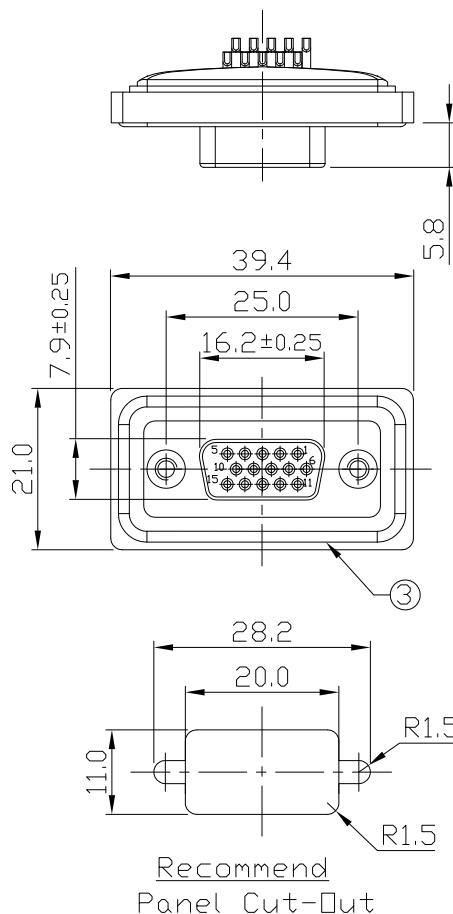
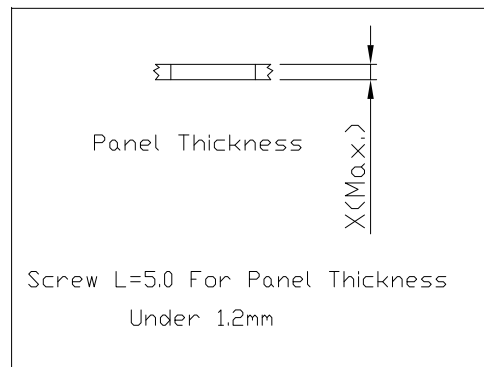


Notes: (Unless Otherwise Specified)

1. Waterproof Rate: IP68.
2. Recommend Panel Thickness: 0.8 to 1.2 mm.
3. Recommend Torque: 5~6 Kgf-cm.
4. Mating Cap P/N: GT1C4140X2.
5. RoHS & REACH Compliant.

REV	ECN#	DESCRIPTION OF REVISION	DRAW BY DATE	CHECK BY DATE	APPROVE BY DATE
A2	ECN-230315	update D-SUB 9P connector	Jenny 03/20/23	Lucas 03/20/23	Ray 03/20/23



Screws on The Separate Bag



5	Machine Screw	#4-40, Copper Alloy Finish: Ni Plated	2
4	Glue	Epoxy Color: Black	
3	O-Ring	Silicone Color: Red	1
2	Housing	Thermoplastic Color: Black	1
1	D-SUB HD 15P Female	Shell: Steel, Finish: Sn Plated Contacts: Copper Alloy, Finish: Au Plated Housing: Thermoplastic, Color: Black	1
Item	Part Name	Material / Finish	Q'ty

TITLE						DRAWING NUMBER			REV.
D-SUB 15P Panel Female Solder						GT146100-02150			A2
	B	1:1	Lucas 07/28/14	Ray 07/28/14	Ray 07/28/14	X.X ± 0.5 X.XX ± 0.2	X.XXX ± 0.05 ANGLES ± 1°	mm	1/1
THIRD ANGLE PROJECTION	SIZE	SCALE	DRAW / DATE	CHECK / DATE	APPROVE / DATE	TOLERANCES		UNIT	SHEET

GT Contact CO.,LTD	
NOTICE OF PROPRIETARY PROPERTY:	
<small>THE INFORMATION CONTAINED HEREIN IS THE PROPRIETARY PROPERTY OF GT Contact CO.,LTD THE POSSESSOR AGREES TO THE FOLLOWING:                  (a) TO MAINTAIN THIS DOCUMENT IN CONFIDENCE                  (b) NOT TO REPRODUCE OR COPY IT                  (c) NOT TO REVEAL OR PUBLISH IT IN WHOLE OR PART                  (d) ALL RIGHTS RESERVED</small>	