

1

2

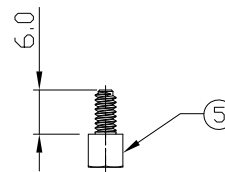
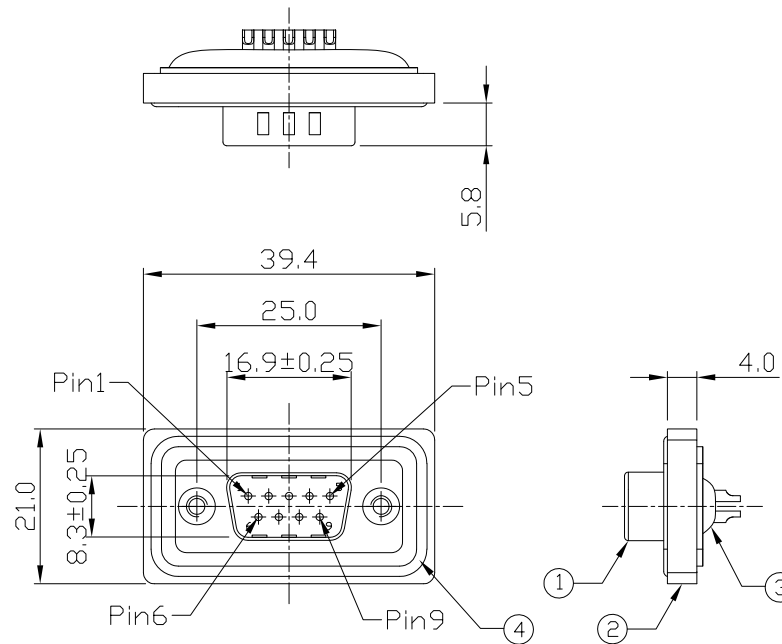
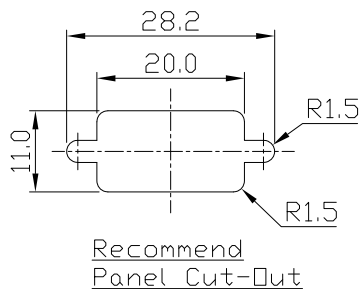
3

4

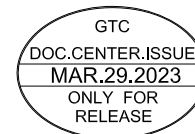
Notes: (Unless Otherwise Specified)

- 1. Waterproof Rate: IP68.
- 2. Recommend Panel Thickness: 1.2 to 2.0 mm.
- 3. Recommend Torque: 5~6 Kgf-cm.
- 4. Mating Cap P/N: GT1C414032.
- 5. RoHS Compliant.

REV	ECN#	DESCRIPTION OF REVISION	DRAW BY DATE	CHECK BY DATE	APPROVE BY DATE
A3	ECN-230316	Update D-SUB 9P Connector	Jenny 03/23/23	Lucas 03/23/23	Ray 03/23/23



Screws on The Separate Bag



Item	Part Name	Material / Finish	Q'ty
5	Machine Screw	#4-40, Copper Alloy Finish: Ni Plated	2
4	O-Ring	Silicone Color: Red	1
3	Glue	Epoxy Color: Black	
2	Housing	Thermoplastic Color: Black	1
1	D-SUB 9P Male	Housing: Thermoplastic, Color: Black Contacts: Copper Alloy, Finish: Au Plated Shell: Cold Roll Steel, Finish: Ni Plated	1

TITLE D-Sub 9P Panel Male Solder						DRAWING NUMBER GT141210-02090			REV. A3	
	B	1:1	Vicky 02/16/11	Lucas 02/16/11	Ray 02/16/11	X.X ± 0.5 X.XX ± 0.2	X.XXX ± 0.05 ANGLES ± 1°	mm	1/1	
THIRD ANGLE PROJECTION	SIZE	SCALE	DRAW / DATE	CHECK / DATE	APPROVE / DATE	TOLERANCES		UNIT	SHEET	

GT Contact CO.,LTD

NOTICE OF PROPRIETARY PROPERTY:
THE INFORMATION CONTAINED HEREIN IS THE PROPRIETARY PROPERTY OF GT Contact CO.,LTD THE POSSESSOR AGREES TO THE FOLLOWING:
(a) TO MAINTAIN THIS DOCUMENT IN CONFIDENCE
(b) NOT TO REPRODUCE OR COPY IT
(c) NOT TO REVEAL OR PUBLISH IT IN WHOLE OR PART
(d) ALL RIGHTS RESERVED

1

2

3

4