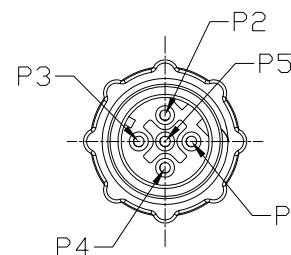
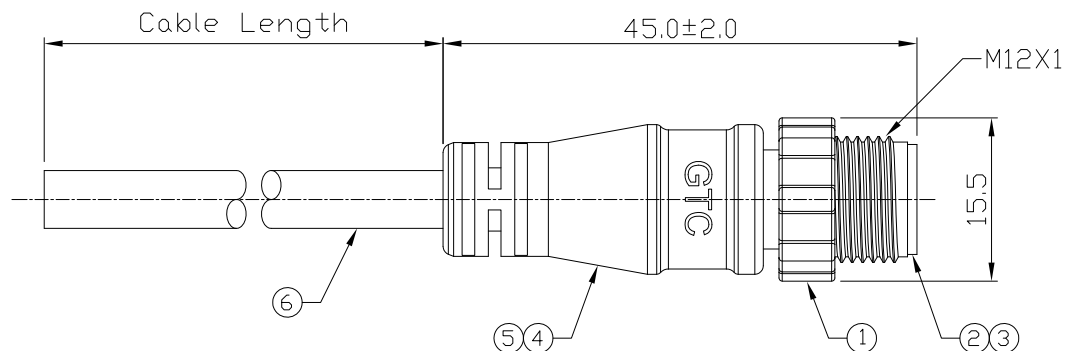
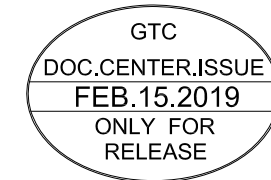


Notes: (Unless Otherwise Specified)

1. Waterproof Rate: IP68.
2. Durability: 100 Cycles Min.
3. DWV: 1000 Vrms
4. Insulation Resistance: 100 MΩ Min.
5. RoHS Compliant.

REV	ECN#	DESCRIPTION OF REVISION	DRAW BY DATE	CHECK BY DATE	APPROVE BY DATE
01			Lucas 02/15/19	Lucas 02/15/19	Ray 02/15/19



GT134434-22051-10	10000 mm	+500
GT134434-22051-09	9000 mm	+450
GT134434-22051-08	8000 mm	+400
GT134434-22051-07	7000 mm	+150
GT134434-22051-06	6000 mm	+150
GT134434-22051-05	5000 mm	+150
GT134434-22051-04	4000 mm	+150
GT134434-22051-03	3000 mm	+100
GT134434-22051-02	2000 mm	+100
GT134434-22051-01	1000 mm	+50
GT134434-22051-Z9	900 mm	+50
GT134434-22051-Z8	800 mm	+50
GT134434-22051-Z7	700 mm	+50
GT134434-22051-Z6	600 mm	+50
GT134434-22051-Z5	500 mm	+50
GT134434-22051-Z4	400 mm	+50
GT134434-22051-Z3	300 mm	+25
GT134434-22051-Z2	200 mm	+25
Part No.	Cable Length	Tol.

1	Brown
2	Orange
3	Black
4	Yellow
5	Red

Wiring Diagram

6	Cable	UL2464 22AWG*5C+Talc (UV) Color: Black, OD=5.5mm	1
5	Over Mold	PVC Color: Black	1
4	Inner Mold	Thermoplastic Color: Black Or White	1
3	Contacts	Copper Alloy Finish: Au Plated	5
2	Screw Nut	Thermoplastic Color: Black	1
1	Housing	Thermoplastic Color: Black	1
Item	Part Name	Material / Finish	Q'ty

TITLE						DRAWING NUMBER			REV.
M12 D-Coding Plastic 4A 5P Cable End Male With Cable						GT134434-22051-XX			01
	B	N/A	Lucas 02/15/19	Lucas 02/15/19	Ray 02/15/19	X.X ± 0.5 X.XX ± 0.2	X.XXX ± 0.05 ANGLES ± 1°	mm	1/1
THIRD ANGLE PROJECTION	SIZE	SCALE	DRAW / DATE	CHECK / DATE	APPROVE / DATE	TOLERANCES		UNIT	SHEET

GT Contact CO.,LTD

NOTICE OF PROPRIETARY PROPERTY:  
THE INFORMATION CONTAINED HEREIN IS THE PROPRIETARY PROPERTY OF GT Contact CO.,LTD THE POSSESSOR AGREES TO THE FOLLOWING:  
(a) TO MAINTAIN THIS DRAWING IN CONFIDENCE  
(b) NOT TO REPRODUCE OR COPY IT  
(c) NOT TO REVEAL OR PUBLISH IT IN WHOLE OR PART  
(d) ALL RIGHTS RESERVED