

1

2

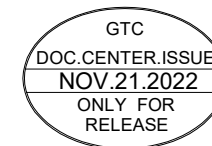
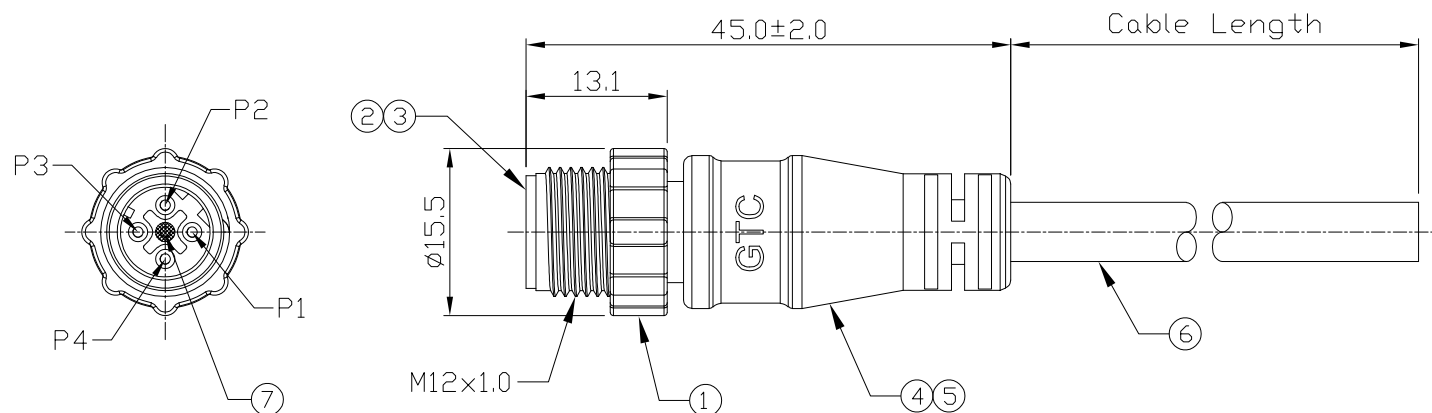
3

4

Notes: (Unless Otherwise Specified)

1. Waterproof Rate: IP68.
2. Durability: 100 Cycles Min.
3. DWV: 1400 Vrms
4. Insulation Resistance: 100 MΩ Min.
5. RoHS Compliant.

REV	ECN#	DESCRIPTION OF REVISION	DRAW BY DATE	CHECK BY DATE	APPROVE BY DATE
A0			Jenny 11/18/22	Lucas 11/18/22	Ray 11/18/22



GT134434-22041-10	10000 mm	+500
GT134434-22041-09	9000 mm	+450
GT134434-22041-08	8000 mm	+400
GT134434-22041-07	7000 mm	+150
GT134434-22041-06	6000 mm	+150
GT134434-22041-05	5000 mm	+150
GT134434-22041-04	4000 mm	+150
GT134434-22041-03	3000 mm	+100
GT134434-22041-02	2000 mm	+100
GT134434-22041-01	1000 mm	+50
GT134434-22041-Z9	900 mm	+50
GT134434-22041-Z8	800 mm	+50
GT134434-22041-Z7	700 mm	+50
GT134434-22041-Z6	600 mm	+50
GT134434-22041-Z5	500 mm	+50
GT134434-22041-Z4	400 mm	+50
GT134434-22041-Z3	300 mm	+25
GT134434-22041-Z2	200 mm	+25
Part No.	Cable Length	Tol.

7	Gland Pin	Thermoplastic Color: Black	1
6	Cable	UL2464 22AWG*4C Color: Black, OD=5.0mm	1
5	Over Mold	PVC Color: Black	1
4	Inner Mold	Thermoplastic Color: Black Or White	1
3	Contacts	Copper Alloy Finish: Au Plated	4
2	Screw Nut	Thermoplastic Color: Black	1
1	Housing	Thermoplastic Color: Black	1
Item	Part Name	Material / Finish	Qty

1	Black
2	Brown
3	Red
4	Orange

Wiring Diagram

TITLE						DRAWING NUMBER			REV.	
M12 D-Coding Plastic 4A 4P Cable End Male						GT134434-22041-XX			A0	
THIRD ANGLE PROJECTION		SIZE	SCALE	DRAW / DATE	CHECK / DATE	APPROVE / DATE	TOLERANCES		UNIT	SHEET
		B	N/A	Jenny 11/18/22	Lucas 11/18/22	Ray 11/18/22	X.X ± 0.5 X.XX ± 0.2	X.XXX ± 0.05 ANGLES ± 1°	mm	1/1

GT Contact CO.,LTD

NOTICE OF PROPRIETARY PROPERTY:
THE INFORMATION CONTAINED HEREIN IS THE PROPRIETARY PROPERTY OF GT Contact CO.,LTD THE POSSESSOR AGREES TO THE FOLLOWING:
(i) TO MAINTAIN THIS DOCUMENT IN CONFIDENCE
(ii) NOT TO REPRODUCE OR COPY IT
(iii) NOT TO REVEAL OR PUBLISH IT IN WHOLE OR PART
(iv) ALL RIGHTS RESERVED