

1

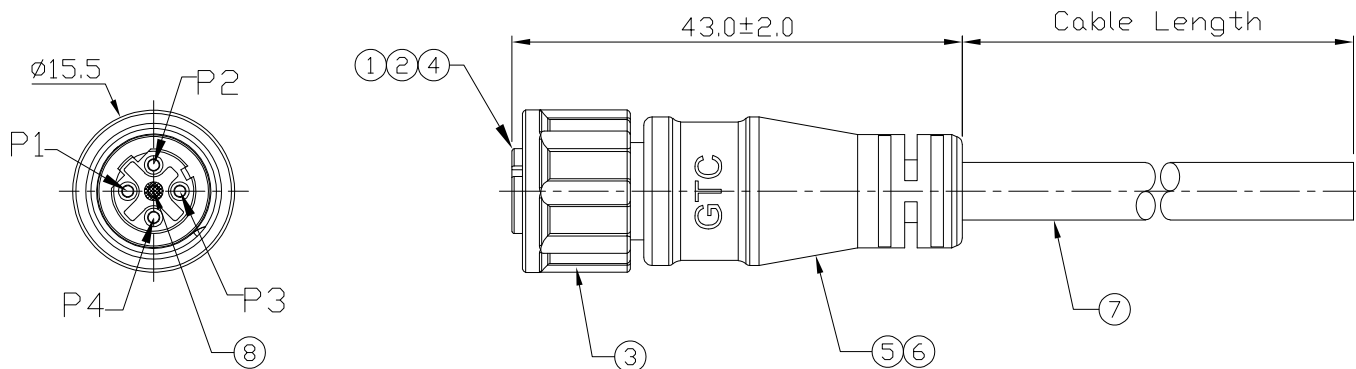
2

3

4

Notes: (Unless Otherwise Specified)  
 1. Water Proof Rate: IP68.  
 2. Durability: 100 Cycles Min.  
 3. DWV: 1400 Vrms  
 4. Insulation Resistance: 100 MΩ Min.  
 5. RoHS Compliant

REV	ECN#	DESCRIPTION OF REVISION	DRAW BY DATE	CHECK BY DATE	APPROVE BY DATE
A0			Jenny 11/18/22	Lucas 11/18/22	Ray 11/18/22



GTC  
 DOC. CENTER ISSUE  
 NOV. 21. 2022  
 ONLY FOR  
 RELEASE

GT134424-22041-10	10000 mm	+500
GT134424-22041-09	9000 mm	+450
GT134424-22041-08	8000 mm	+400
GT134424-22041-07	7000 mm	+150
GT134424-22041-06	6000 mm	+150
GT134424-22041-05	5000 mm	+150
GT134424-22041-04	4000 mm	+150
GT134424-22041-03	3000 mm	+100
GT134424-22041-02	2000 mm	+100
GT134424-22041-01	1000 mm	+50
GT134424-22041-Z9	900 mm	+50
GT134424-22041-Z8	800 mm	+50
GT134424-22041-Z7	700 mm	+50
GT134424-22041-Z6	600 mm	+50
GT134424-22041-Z5	500 mm	+50
GT134424-22041-Z4	400 mm	+50
GT134424-22041-Z3	300 mm	+25
GT134424-22041-Z2	200 mm	+25
Part No.	Cable Length	Tol.

8	Gland Pin	Thermoplastic Color: Black	1
7	Cable	UL2464 22AWG*4C+(UV) Color: Black, DD=5.0mm	1
6	Over Mold	PVC Color: Black	1
5	Inner Mold	Thermoplastic Color: Black Or White	1
4	O-Ring	Silicone Color: Red	1
3	Screw Nut	Thermoplastic Color: Black	1
2	Contacts	Copper Alloy Finish: Au Plated	4
1	Housing	Thermoplastic Color: Black	1
Item	Part Name	Material / Finish	Q'ty

1	Brown
2	Orange
3	Black
4	Red

Wiring Diagram

TITLE						DRAWING NUMBER			REV.	
M12 D-Coding Plastic 4A 4P Cable End Female						GT134424-22041-XX			A0	
DO NOT SCALE DRAWINGS		B	N/A	Jenny 11/18/22	Lucas 11/18/22	Ray 11/18/22	X.X ± 0.5 X.XX ± 0.2	X.XXX ± 0.05 ANGLES ± 1°	mm	1/1
THIRD ANGLE PROJECTION		SIZE	SCALE	DRAW / DATE	CHECK / DATE	APPROVE / DATE	TOLERANCES		UNIT	SHEET

GT Contact CO.,LTD

NOTICE OF PROPRIETARY PROPERTY:  
 THE INFORMATION CONTAINED HEREIN IS THE PROPRIETARY PROPERTY OF GT Contact CO.,LTD THE POSSESSOR AGREES TO THE FOLLOWING:  
 (i) TO MAINTAIN THIS DOCUMENT IN CONFIDENCE  
 (ii) NOT TO REPRODUCE OR COPY IT  
 (iii) NOT TO REVEAL OR PUBLISH IT IN WHOLE OR PART  
 (iv) ALL RIGHTS RESERVED

1

2

3

4