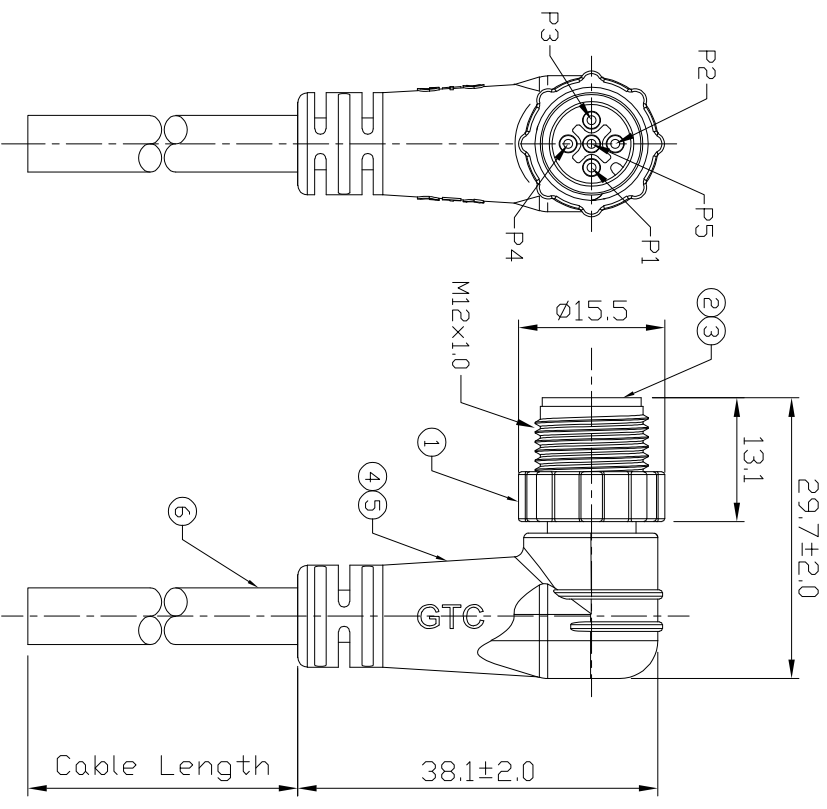


- Notes: (unless otherwise specified)
1. Waterproof Rate: IP68.
 2. Durability: 100 Cycles Min.
 3. DWV: 1000 Vrms
 4. Insulation Resistance: 100 MΩ Min.
 5. RoHS Compliant.

1	Brown
2	Orange
3	Black
4	Yellow
5	Red

Wiring Diagram



GT134135-22051-10	10000 mm	+500
GT134135-22051-09	9000 mm	+450
GT134135-22051-08	8000 mm	+400
GT134135-22051-07	7000 mm	+150
GT134135-22051-06	6000 mm	+150
GT134135-22051-05	5000 mm	+150
GT134135-22051-04	4000 mm	+150
GT134135-22051-03	3000 mm	+100
GT134135-22051-02	2000 mm	+100
GT134135-22051-01	1000 mm	+50
GT134135-22051-29	900 mm	+50
GT134135-22051-28	800 mm	+50
GT134135-22051-27	700 mm	+50
GT134135-22051-26	600 mm	+50
GT134135-22051-25	500 mm	+50
GT134135-22051-24	400 mm	+50
GT134135-22051-23	300 mm	+25
GT134135-22051-22	200 mm	+25
Part No.	Cable Length	Tol.

6	Cable	UL2464 22AWG*5C+Talc (UV) OD=5.5±0.2mm, PVC, Color: Black	1
5	Over Mold	PVC Color: Black	1
4	Inner Mold	Thermoplastic Color: White or Black	1
3	Contacts	Copper Alloy Finish: Au Plated	5
2	Housing	Thermoplastic Color: Black	1
1	Screw Nut	Thermoplastic Color: Black	1

Item	Part Name	Material / Finish	Qty
------	-----------	-------------------	-----

TITLE M12 A-Cooling Plastic 4A 5P Cable End 90° Male

DO NOT SCALE DRAWINGS	B	1:1	Jenny 11/17/22	Lucas 11/17/22	Ray 11/17/22	XX XXX	± 0.5 ± 0.2	XXXX ANGLES	± 0.05 ± 1°	mm	1/1
THIRD ANGLE PROJECTION	SIZE	SCALE	DRAW / DATE	CHECK / DATE	APPROVE / DATE	TOLERANCES	UNIT	SHEET	REV.	DRAWING NUMBER GT134135-22051-XX A0	

GT Contact CO., LTD

NOTICE OF PROPRIETARY PROPERTY
THE INFORMATION CONTAINED HEREIN IS THE PROPRIETARY PROPERTY OF GT CONTACT CO., LTD. THE POSSESSOR AGREES TO MAINTAIN THIS DOCUMENT IN CONFIDENCE AND NOT TO REPRODUCE OR COPY IT OR NOT TO REVEAL OR PUBLISH IT IN WHOLE OR PART (AND ALL RIGHTS RESERVED)