

1

2

3

4

Notes: (Unless Otherwise Specified)

- 1. Waterproof Rate: IP68.
- 2. Durability 100 Cycles Min.
- 3. DWV: 1000 Vrms
- 4. Insulation Resistance: 100 MΩ Min.
- 5. RoHS Compliant.

REV	ECN#	DESCRIPTION OF REVISION	DRAW BY DATE	CHECK BY DATE	APPROVE BY DATE
A0			Jenny 11/16/22	Lucas 11/16/22	Ray 11/16/22

D

D

C

C

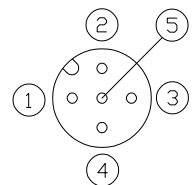
B

B

A

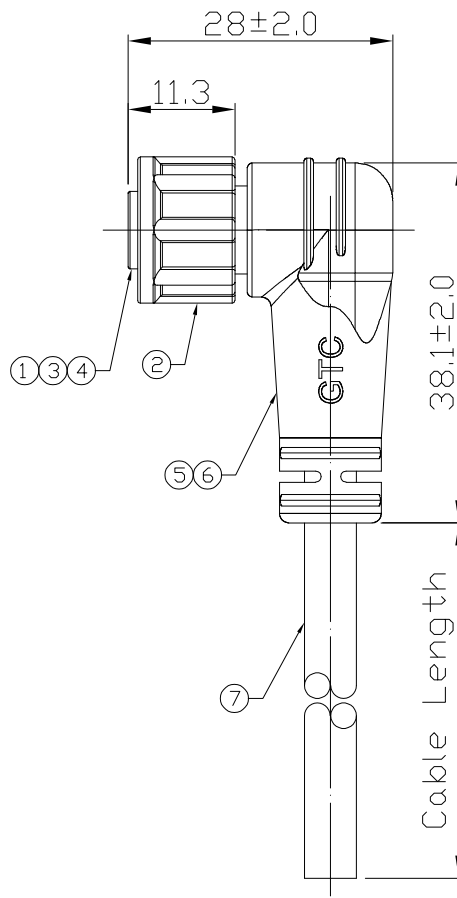
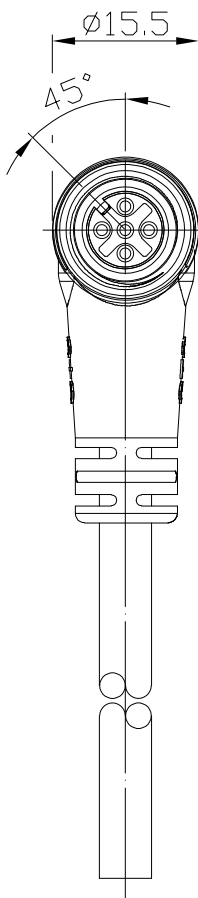
A

1	Brown
2	Orange
3	Black
4	Yellow
5	Red



Pin Assignment

Wiring Diagram



Part No.	Cable Length	Tol.
GT134125-22051-10	10000 mm	+500
GT134125-22051-09	9000 mm	+450
GT134125-22051-08	8000 mm	+400
GT134125-22051-07	7000 mm	+150
GT134125-22051-06	6000 mm	+150
GT134125-22051-05	5000 mm	+150
GT134125-22051-04	4000 mm	+150
GT134125-22051-03	3000 mm	+100
GT134125-22051-02	2000 mm	+100
GT134124-22051-01	1000 mm	+50
GT134124-22051-Z9	900 mm	+50
GT134125-22051-Z8	800 mm	+50
GT134125-22051-Z7	700 mm	+50
GT134125-22051-Z6	600 mm	+50
GT134125-22051-Z5	500 mm	+50
GT134125-22051-Z4	400 mm	+50
GT134125-22051-Z3	300 mm	+25
GT134125-22051-Z2	200 mm	+25

Item	Part Name	Material / Finish	Q'ty
7	Cable	UL2464 22AWG*5C+Talc Color: Black, OD=5.5mm	1
6	Over Mold	PVC Color: Black	1
5	Inner Mold	Thermoplastic Color: White Or Black	1
4	O-Ring	Silicone Color: Red	1
3	Contacts	Copper Alloy Finish: Au Plated	5
2	Screw Nut	Thermoplastic Color: Black	1
1	Housing	Thermoplastic Color: Black	1

GT Contact CO.,LTD

NOTICE OF PROPRIETARY PROPERTY:
 THE INFORMATION CONTAINED HEREIN IS THE PROPRIETARY PROPERTY OF GT Contact CO.,LTD THE POSSESSOR AGREES TO THE FOLLOWING:
 (i) TO MAINTAIN THIS DOCUMENT IN CONFIDENCE
 (ii) NOT TO REPRODUCE OR COPY IT
 (iii) NOT TO REVEAL OR PUBLISH IT IN WHOLE OR PART
 (iv) ALL RIGHTS RESERVED

TITLE						DRAWING NUMBER			REV.	
M12 A-Coding Plastic 4A 5P Cable End 90° Female						GT134125-22051-XX			A0	
	B	1:1	Jenny 11/16/22	Lucas 11/16/22	Ray 11/16/22	XX ± 0.5 X.XX ± 0.2	XXX ± 0.05 ANGLES ± 1°	mm	1/1	
THIRD ANGLE PROJECTION	SIZE	SCALE	DRAW / DATE	CHECK / DATE	APPROVE / DATE	TOLERANCES		UNIT	SHEET	

1

2

3

4