

1

2

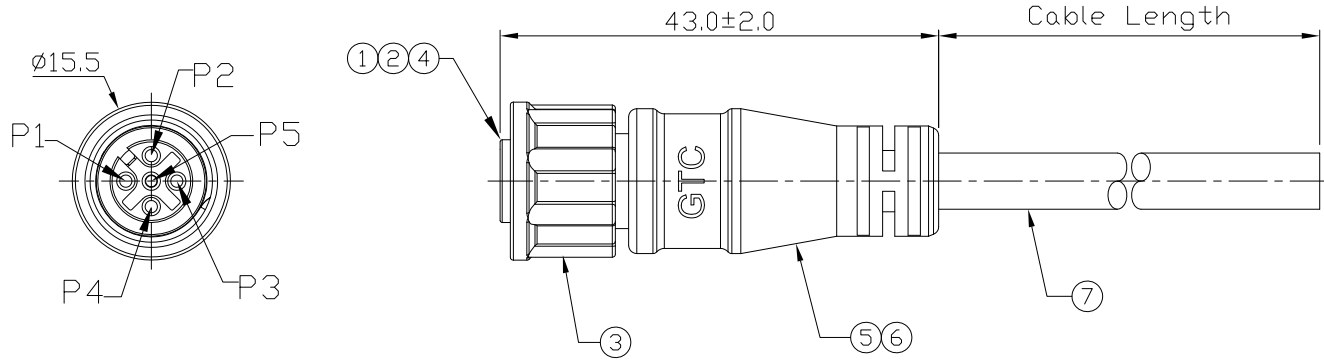
3

4

Notes: (Unless Otherwise Specified)

- 1. Water Proof Rate: IP68.
- 2. Durability: 100 Cycles Min.
- 3. DWV: 1000 Vrms
- 4. Insulation Resistance: 100 MΩ Min.
- 5. RoHS Compliant

REV	ECN#	DESCRIPTION OF REVISION	DRAW BY DATE	CHECK BY DATE	APPROVE BY DATE
01			Lucas 02/15/19	Lucas 02/15/19	Ray 02/15/19



GT134124-22051-10	10000 mm	+500
GT134124-22051-09	9000 mm	+450
GT134124-22051-08	8000 mm	+400
GT134124-22051-07	7000 mm	+150
GT134124-22051-06	6000 mm	+150
GT134124-22051-05	5000 mm	+150
GT134124-22051-04	4000 mm	+150
GT134124-22051-03	3000 mm	+100
GT134124-22051-02	2000 mm	+100
GT134124-22051-01	1000 mm	+50
GT134124-22051-29	900 mm	+50
GT134124-22051-28	800 mm	+50
GT134124-22051-27	700 mm	+50
GT134124-22051-26	600 mm	+50
GT134124-22051-25	500 mm	+50
GT134124-22051-24	400 mm	+50
GT134124-22051-23	300 mm	+25
GT134124-22051-22	200 mm	+25
Part No.	Cable Length	Tol.

7	Cable	UL2464 22AWG*5C+Talc (UV) Color: Black, OD:5.5mm	1
6	Over Mold	PVC Color: Black	1
5	Inner Mold	Thermoplastic Color: Black Or White	1
4	O-Ring	Silicone Color: Red	1
3	Screw Nut	Thermoplastic Color: Black	1
2	Contacts	Copper Alloy Finish: Au Plated	5
1	Housing	Thermoplastic Color: Black	1
Item	Part Name	Material / Finish	Qty

1	Brown
2	Orange
3	Black
4	Yellow
5	Red

Wiring Diagram

TITLE						DRAWING NUMBER			REV.
M12 A-Coding Plastic 4A 5P Cable End Female With Cable						GT134124-22051-XX			01
DO NOT SCALE DRAWINGS	B	N/A	Lucas 02/15/19	Lucas 02/15/19	Ray 02/15/19	XX ± 0.5 X.XX ± 0.2	X.XXX ± 0.05 ANGLES ± 1°	mm	1/1
THIRD ANGLE PROJECTION	SIZE	SCALE	DRAW / DATE	CHECK / DATE	APPROVE / DATE	TOLERANCES		UNIT	SHEET

GT Contact CO.,LTD

NOTICE OF PROPRIETARY PROPERTY:  
 THE INFORMATION CONTAINED HEREIN IS THE PROPRIETARY PROPERTY OF GT Contact CO.,LTD THE POSSESSOR AGREES TO THE FOLLOWING:  
 (a) TO MAINTAIN THIS DOCUMENT IN CONFIDENCE  
 (b) NOT TO REPRODUCE OR COPY IT  
 (c) NOT TO REVEAL OR PUBLISH IT IN WHOLE OR PART  
 (d) ALL RIGHTS RESERVED

1

2

3

4